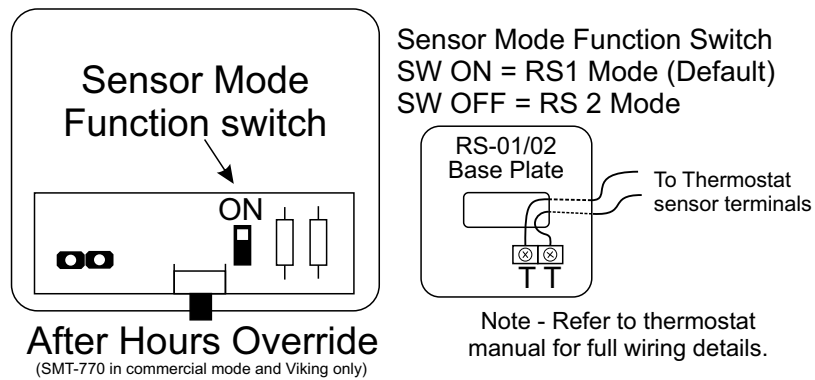


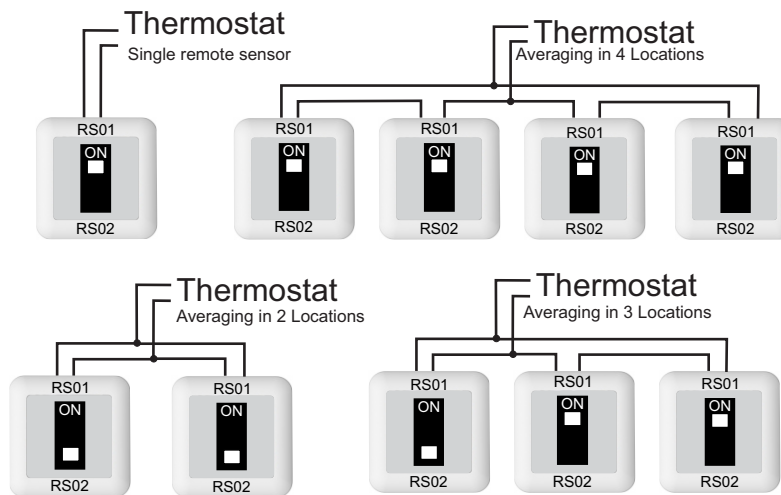
# Smart Temp RS 01/02 Remote Temperature Sensor

The RS 01/02 sensor has been designed as a universal sensor for all Smart Temp Thermostats and zone control systems. This one sensor is able to be used as a single remote sensor or as an averaging sensor by changing the position of the "Sensor Mode Function Switch".

A momentary press button is also provided that will operate Smart Temp Viking and SMT-770 thermostat commercial After Hours Override function. This switch is ignored by all other devices.



## Wiring Examples

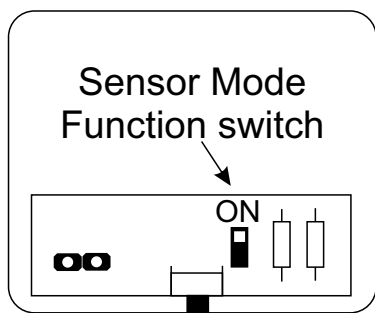


Set the Sensor mode function switch as shown in the above drawings

 **temperzone** RSN Remote Temperature Sensor

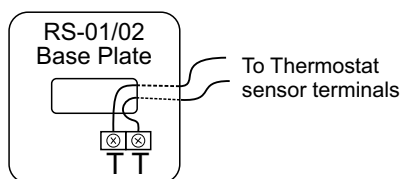
The RSN sensor has been designed as a universal sensor for all temperzone Thermostats. This one sensor is able to be used as a single remote sensor or as an averaging sensor by changing the position of the "Sensor Mode Function Switch".

A momentary press button is also provided that will operate temperzone TZT-100 thermostat commercial After Hours Override function. This switch is ignored by all other devices.



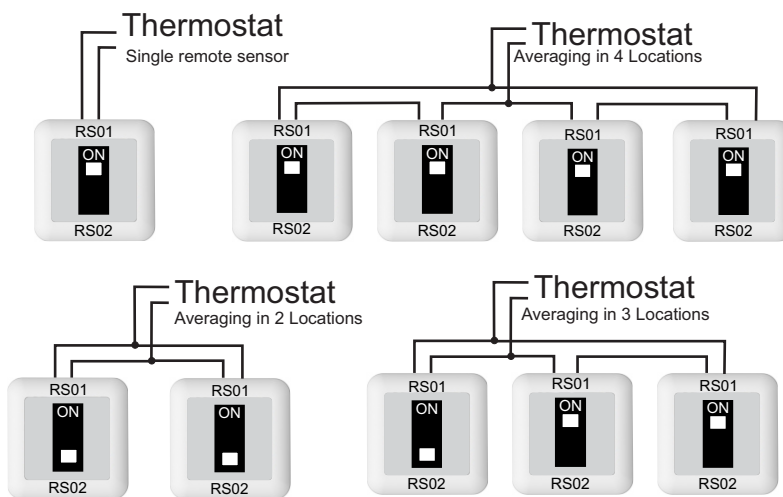
**After Hours Override**  
(TZT-100 in commercial mode and Viking only)

**Sensor Mode Function Switch**  
SW ON = RS1 Mode (Default)  
SW OFF = RS 2 Mode



Note - Refer to thermostat manual for full wiring details.

## Wiring Examples



Set the Sensor mode function switch as shown in the above drawings