

Smart Pak

240 to 24VAC Interface module

Making Life Comfortable

The Smart Temp Smart Pak^(tm) has been designed where 240VAC equipment must be controlled by a 24V thermostat. This simple to install interface isolates low and high voltages through relays therefore ensuring that there is no voltage leakage between the equipment and controller.

The Smart Pak has been fitted with LED indicators to provide visual indication of each relays status. This is a valuable aid during system commissioning or when fault finding a previous installation.

The highest quality components and the latest design and manufacturing techniques have been employed in the construction of the Smart Pak. The quality of this construction is reflected in the unconditional two year return to factory warranty offered by Smart Temp.

The Smart Temp Smart Pak is fitted with a selector switch that gives the Smart Pak the unique ability to control a Heat Pump system using a standard Heat/Cool thermostat. A useful feature when a installation, for what ever reason dictates the use of a normally incompatible thermostat.

A specially constructed enclosure has been provided to provide secure mounting of the Smart Pak on either standard DIN rail or with screws. This base has a reinforced mounting point in each corner which is designed to take the stress of mounting the Smart Pak using power tools and tech screws without damaging the Smart Pak PCB or other components. Protective covers hide and protect all high and low voltage wiring.

The Smart Temp Smart Pak has been designed with the electrical installer in mind. It has been built to be simple to understand, simple to install and very reliable in performance. Further, it has been designed and built in Australia to comply with Australian rules and requirements.

Smart Temp would be happy to discuss how best to use the Smart Pak in your application.

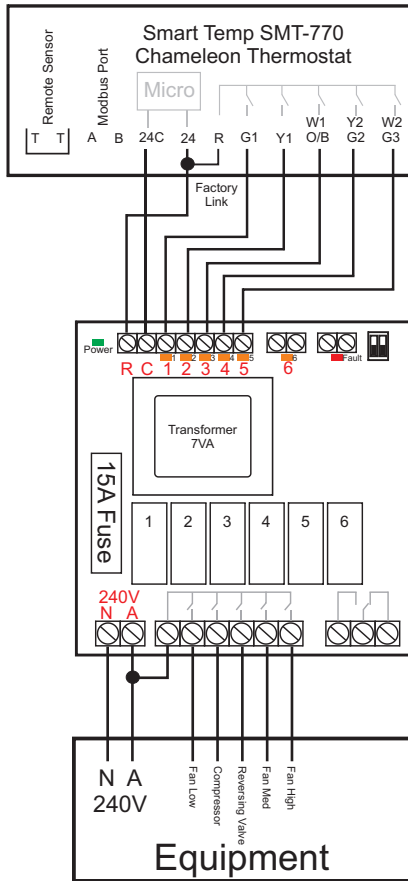
Features

- Relays rated at 240v 10A max each.
- Main 5 relays fully fused.
- 6th (aux) relay offers change over contacts.
- Fault input - isolates first 5 relays.
- Built in "Magic Wire^(TM)" ready.
- LED indications of power and / or fault.
- All 6 relay inputs have status LEDs.
- Secure DIN (or screw) mounting.
- Protective covers for all terminals.
- Switched advanced control options.

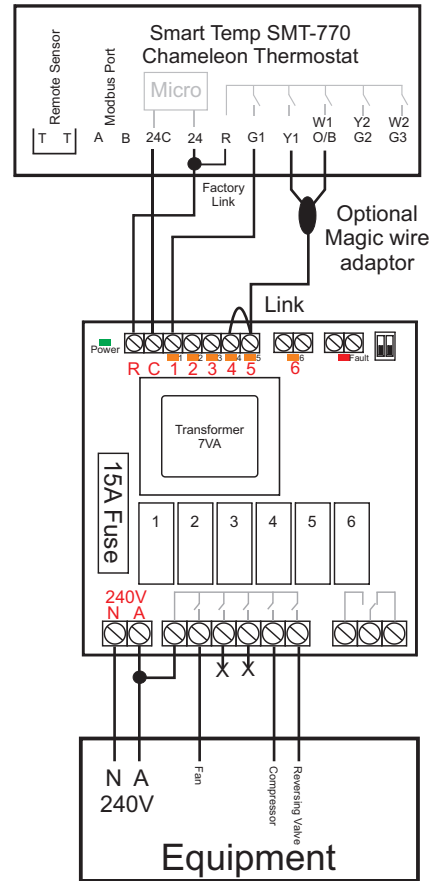


Wiring Examples

Typical Heat pump - 3 speed fan

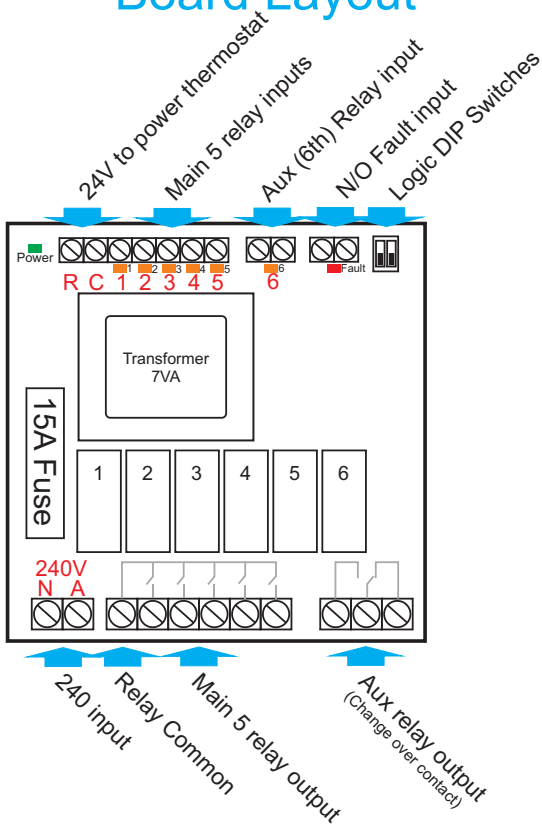


Typical Heat pump - 1 speed fan using magic wire

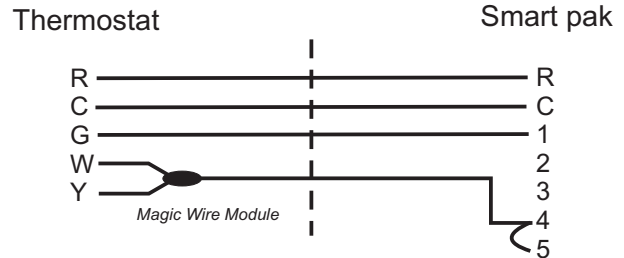


* Examples shown use Smart Temp SMT-770 thermostats, other thermostats can be used if desired

Board Layout



Magic Wire Detail



The magic wire interface permits the use of 4 field wires to perform 5 functions. These 4 field wires can be used for 24V active, 24V common, Fan (G), Heat (W) and cool (Y).

The magic wire module is decoded on Smart Pak inputs 4 & 5 only. Input 4 & 5 should be linked.

DIP Switch settings

- DP1 Input 3 activate relay 1 & 3
- DP2 Input 3 activates relay 2 & 3

Fault Input

Closing this input via a remote clean contact will isolate relays 1 to 5. Typically this input can be used as a phase fail input, loss of water, fire input or any other input where you wish to disable the output to the equipment.

