

Inspire Touch

5" Colour Touch Screen Thermostat **SMT-775**

Making Life Comfortable

General Description

Finding the right HVAC control solution is often not an easy task. Modern consumers expect an attractive and easy to use thermostat featuring all the modern features and yet not want to pay a fortune for it.

As an installer you must select a control system that not only meets your client's expectations but must control the HVAC system in a safe and energy efficient manner - and it must be reliable, easy to install and easy to set up.

Smart Temp are pleased to offer the SMT-775 "Inspire Touch", a control solution that is sure to impress you and your customer.

The Inspire Touch features a full colour 5" touch screen with a modern interface and attractive icons. Tapping icons open pages that permit the adjustment of comfort levels, system modes and holiday scheduling that are all laid out in an attractive and intuitive format. The Inspire touch is that easy to use that the user should never need read the manual or call tech support for help using their Inspire Touch

The capabilities of the Inspire Touch does not stop with a fancy user interface. The Inspire Touch includes individual temperature control for up to 9 zones by the simple switching the function on in the installer menu.

Adding extra wall controllers (up to a maximum of 4) further adds to the Inspire Touche's capability. A change made on any one of the wall controllers will automatically synchronize, updating information to the other wall controllers.

Each wall controller has the ability to turn zones or the HVAC system on or off or adjust individual zone temperatures. With the Inspire Touch when using multiple wall controllers you can adjust the upstairs comfort level from the downstairs wall controller or turn the kid's bedroom zone on or off from the wall controller located in the master bedroom.



Condensed Features

5" Colour "Capacitive" Touch Screen

Up To 4 Wall Controllers Per System*

Up To 9 Temperature Controlled Zones*

Full Scheduling for Each Zone

iPhone, Android and Web Page Control

Rh Monitoring and Control

Single or Three Fan Speed Control

Heat Pump or Heat Cool Control Logic

0-10V for Valve Control

Photo Frame Function

Customisable Display

Light Sensor for Automatic Backlight Control

Extensive Installer Options Menu

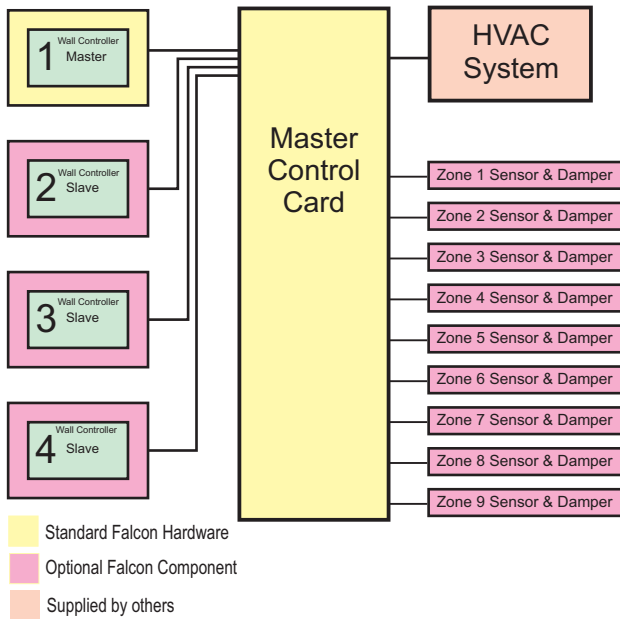
Installer "Theft Lock" Function

Full Local Product Support

Designed and Built by Smart Temp Australia

Comprehensive 3 Year Warranty RTB

Typical Wiring (Full System)



The Inspire Touch was designed with the installer in mind. Getting the system installed, working well and commissioned with a minimum amount of fuss and effort was paramount in the Inspire Touch design criteria.

To make wiring fast and fool proof, all Inspire Touch damper connections are via industry standard and readily available RJ 12 "patch leads". Simply plug the patch lead in the master control card and the other end onto the dampers for a no fuss and fool proof connection. Sensors are polarity independent so difficult to get wrong.

Just More Clever Features

The Inspire Touch is packed with a wealth of innovative functions - far too many to mention here but includes features such as:

Logging

The Inspire Touch logs all set points and room temperatures for all zones on a moving 7 day window. Review system performance at a glance or zoom in to see hour by hour data. Great for diagnostics.

Installer lock

If enabled, the installer is able to set a three tier reminder for the user to enter your custom selected 6 digit security PIN.

If the Inspire Touch system is stolen - after 3 months (for example) the Wall Controller locks out all heating and cooling until the correct PIN is entered.

Wi-Fi

A free app permits you to control all functions of the Inspire Touch from anywhere in the world

Installer Menu

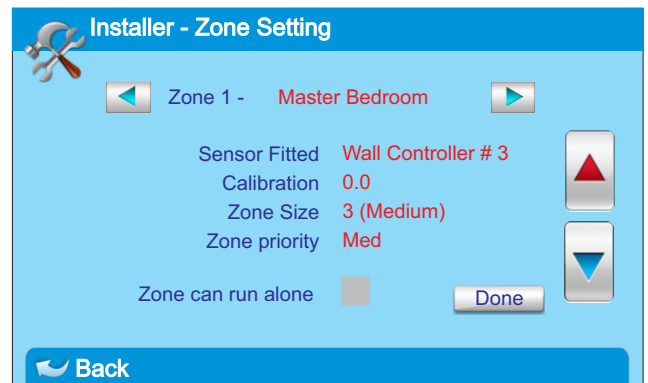


The Inspire Touch has been carefully designed to be right for the job "out of the box". In the unlikely event the Inspire Touch is not set up perfectly for your

project a PIN protected installer menu is provided to enable you to fine tune the Inspire Touche's performance to meet the demands of the project.

The installer menu permits the adjustment of such things as setting the number of zones, permitted minimum and maximum set temperatures and the number of equipment stages. It is presented in a logical format and in clear, precise English. So even if you have to enter the installer menu, you won't need a manual to understand the settings.

Clever Zone Control



Zone control in the Inspire Touch is simple to use and understand, offering 3 zone control modes. A basic mode (Non Adjustable), where all zones are maintained to the same temperature; A simple mode, (open / close of zones only permitted) where all zones are maintained to the same temperature however you can select zones as open (on) or closed (off) and a more advanced mode, where all zones are completely individual - each zone with the ability to have individual schedules and temperatures.

The zone setup menu is used to set the number of zones under the Inspire Touch control and how these zones are managed, individually and as a group.

Further, the installer has full control of when the HVAC system starts and stops based on the total demand for heating and cooling. This prevents fixed capacity systems from attempting to run when there are not enough outlets open and better manages the HVAC system when the total demand exceeds the HVAC system's supply capability.

The Inspire Touch has intelligent control zone logic designed to ensure a comfortable climate while still functioning within the capabilities of the HVAC system

