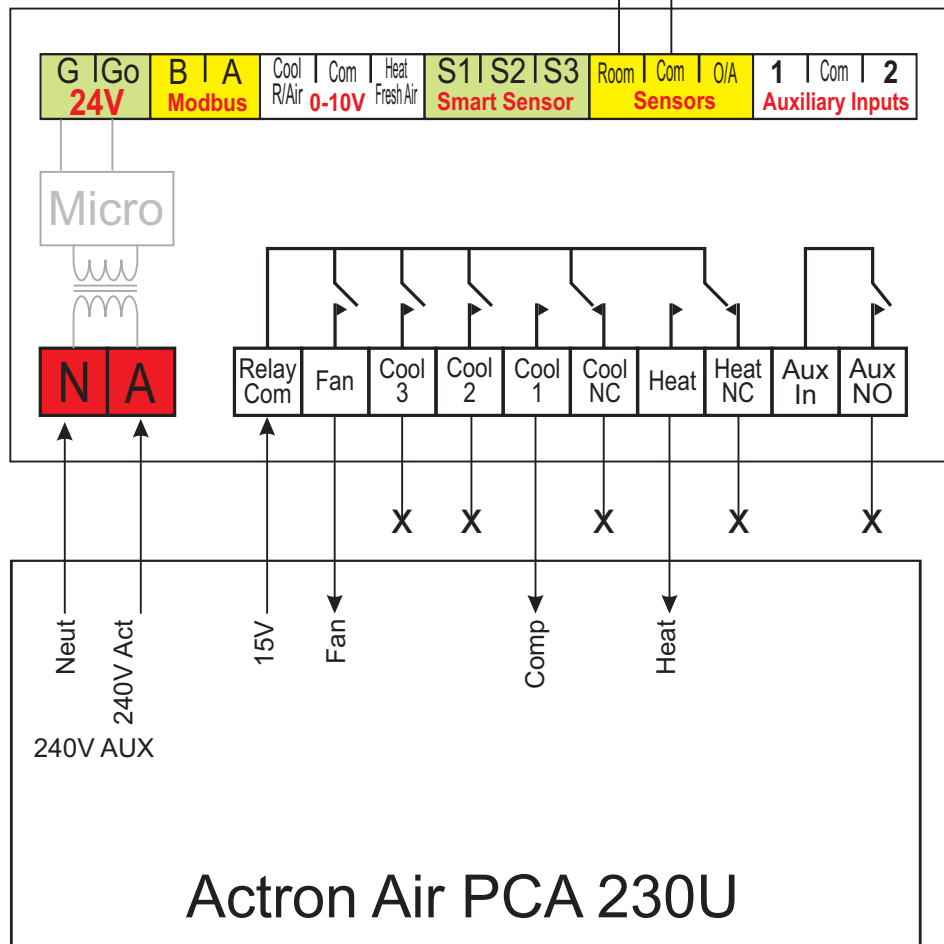





RS-1-02
Sensor



		<h2>Installation Drawing</h2>	
Drawing Revision History		Drawing Name Accent Air PCA230U Interfaced to a Smart Temp Viking	
27-06-2018	REV 1.0	By: John K	
Unit 20, 1488 Ferntree Gully Road Knoxfield Vic 3180		Ph: (03) 9763 0094 www.thermostat.com.au Fax: (03) 9763 0098	

ALL CARE AND DILIGENCE HAS BEEN TAKEN IN THE PREPARATION OF THIS INTERFACE DIAGRAM. **SMART TEMP AUSTRALIA PTY LTD** WILL ONLY BE RESPONSIBLE FOR DAMAGE CAUSED TO THE SMART TEMP PRODUCT, AND ONLY IF IT HAD BEEN CORRECTLY APPLIED IN ACCORDANCE WITH THE MANUFACTURES INSTRUCTIONS. IT IS THE DEALER / CONTRACTORS SOLE RESPONSIBILITY TO ENSURE CORRECT OPERATION OF THE MAJOR EQUIPMENT IS MAINTAINED.