

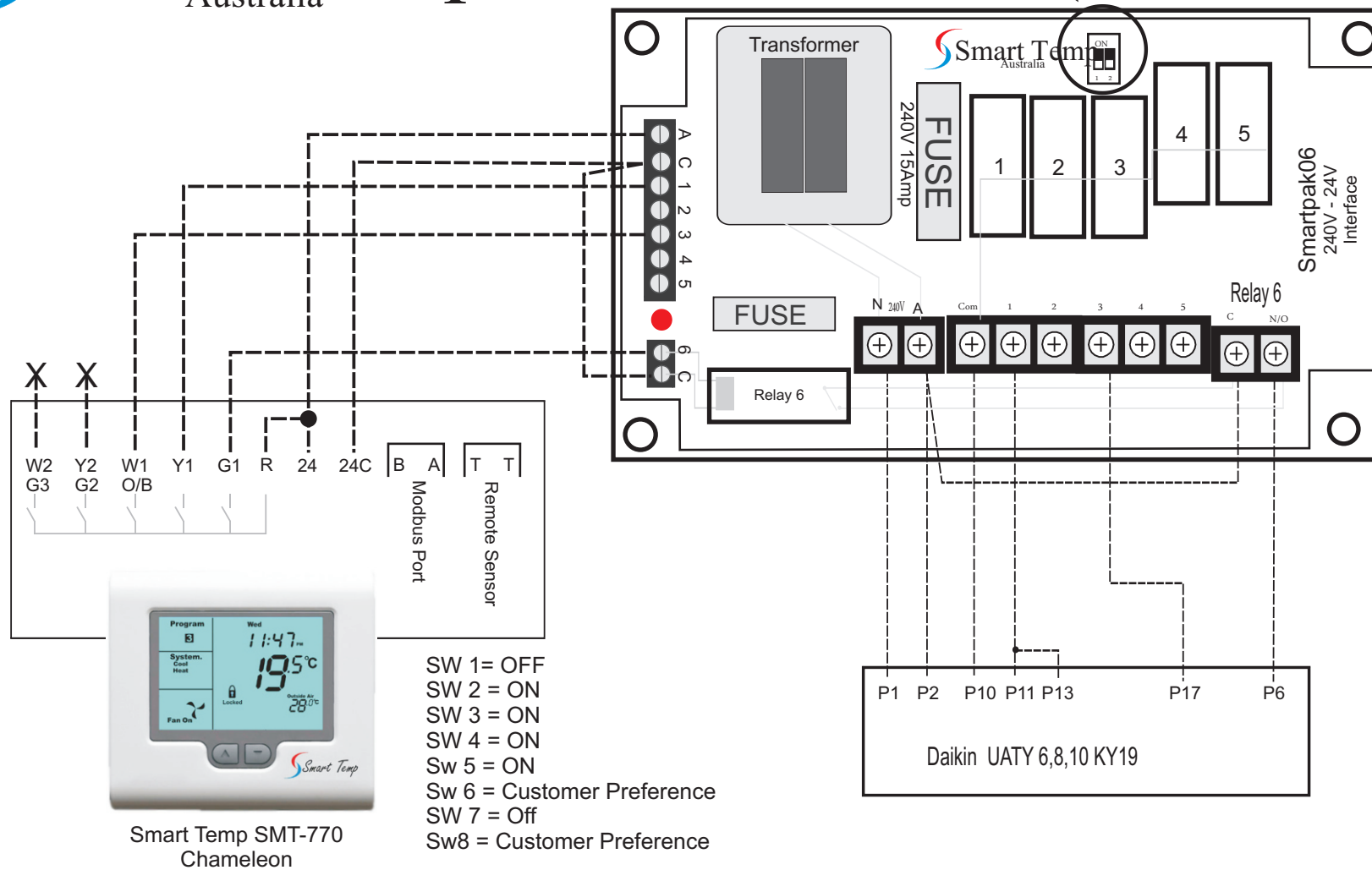
Smart Temp SMT-770
Chameleon

- SW 1 = ON
- SW 2 = ON
- SW 3 = OFF
- SW 4 = ON
- SW 5 = ON
- SW 6 = Customer Preference
- SW 7 = ON
- SW 8 = Customer Preference

ALL CARE AND DILIGENCE HAS BEEN TAKEN IN THE PREPARATION OF THIS INTERFACE DIAGRAM. **SMART TEMP AUSTRALIA PTY LTD** WILL ONLY BE RESPONSIBLE FOR DAMAGE CAUSED TO THE SMART TEMP PRODUCT, AND ONLY IF IT HAD BEEN CORRECTLY APPLIED IN ACCORDANCE WITH THE MANUFACTURES INSTRUCTIONS. IT IS THE DEALER / CONTRACTORS SOLE RESPONSIBILITY TO ENSURE CORRECT OPERATION OF THE MAJOR EQUIPMENT IS MAINTAINED.

| | | | |
|---|---------|--|--|
| | | Installation Drawing | |
| Drawing Revision History | | Drawing Name | |
| | | Temperzone ISD80-140K Interfaced with SmartPak05 and SMT-770 | |
| | | All care has been taken in the preparation of this drawing however Smart Temp Australia accepts no responsibility for damage that may be caused by using this information. This is a guide only. | |
| 18-11-2008 | REV 1.0 | By: J. Koumendis | |
| Unit 20, 1488 Ferntree Gully Road Knoxfield Vic 3180 Ph: (03) 9163 0094 Fax: (03) 9163 0098 www.smarttemp.com.au | | | |

Both DIP switches should be OFF




Smart Temp SMT-770 Chameleon

- SW 1 = OFF
- SW 2 = ON
- SW 3 = ON
- SW 4 = ON
- SW 5 = ON
- Sw 6 = Customer Preference
- SW 7 = Off
- Sw8 = Customer Preference

- Daikin UATY 6,8,10 KY19 Connections
- P1 - Neutral
 - P2 - Active to Thermostat
 - P17 - Reversing Valve
 - P6 - On/Off Fan Interlock
 - 10- Safety Circuit Comp. interlock
 - P13 - Comp Run Signal 1st Stage Heat
 - P11- Comp Run Signal 1st Stage Cool

ALL CARE AND DILIGENCE HAS BEEN TAKEN IN THE PREPARATION OF THIS INTERFACE DIAGRAM. **SMART TEMP AUSTRALIA PTY LTD** WILL ONLY BE RESPONSIBLE FOR DAMAGE CAUSED TO THE SMART TEMP PRODUCT, AND ONLY IF IT HAD BEEN CORRECTLY APPLIED IN ACCORDANCE WITH THE MANUFACTURES INSTRUCTIONS. IT IS THE DEALER / CONTRACTORS SOLE RESPONSIBILITY TO ENSURE CORRECT OPERATION OF THE MAJOR EQUIPMENT IS MAINTAINED.

| | | | | | | | | | |
|---|--|---|--|--|--|--|--|---|--|
|  | | <h3>Installation Drawing</h3> | | | | | | | |
| <p>Drawing Name</p> <p>Daikin UATY 6,8,10 KY19 Interfaced with SmartPak06 and SMT-770</p> | | <p><small>All work has been taken in the preparation of this drawing however Smart Temp Australia accept no responsibility for damage that may be caused by using this information. This is a guide only.</small></p> | | | | | | | |
| <p>Drawing Revision History</p> <table border="1"> <tr> <td> </td> <td> </td> <td> </td> </tr> <tr> <td> </td> <td> </td> <td> </td> </tr> </table> | | | | | | | | <p>18-12-2007 REV 2.0 By: P. Symons</p> | |
| | | | | | | | | | |
| | | | | | | | | | |
| <p>Unit 20, 1488 Ferntree Gully Road Knoxfield Vic 3180</p> | | <p>P6/01 9163 0094 Fax: (03) 9532 0088 www.thermostat.com.au</p> | | | | | | | |