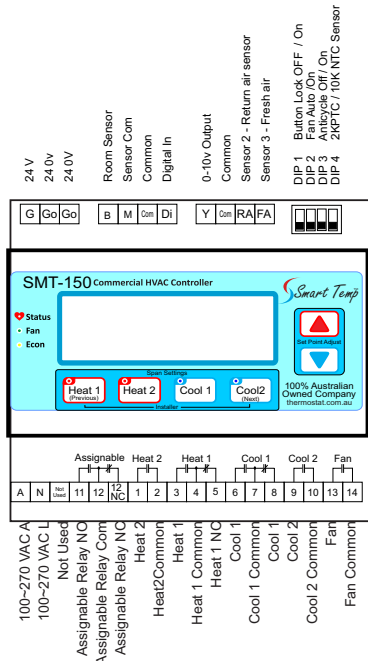
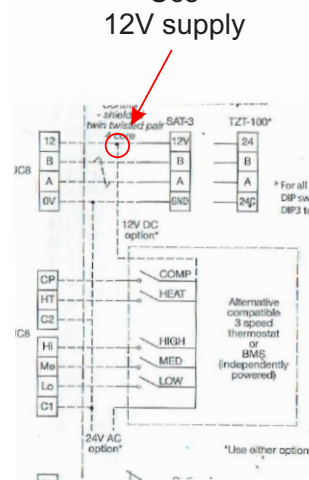
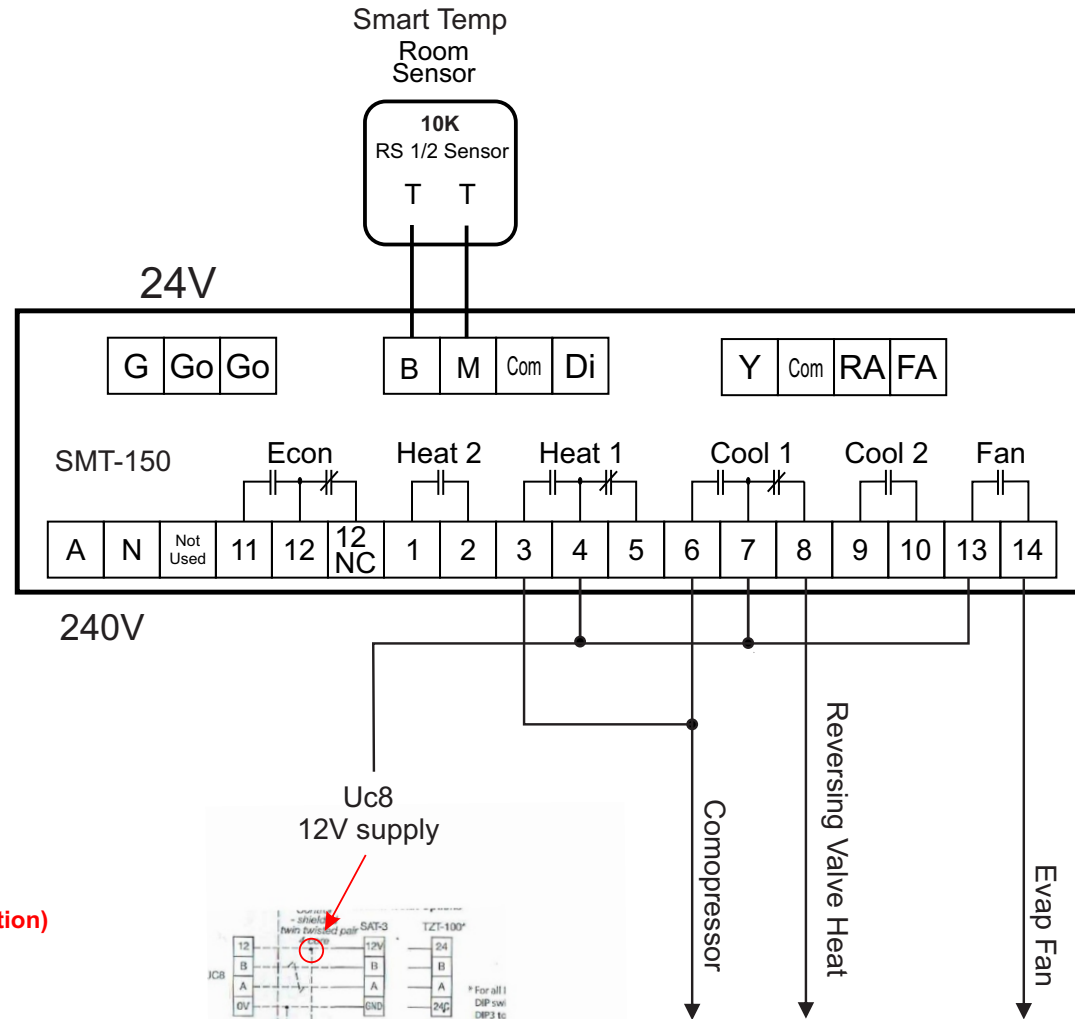




power the SMT-150 with 24V or 240V power



In Installer menu, set option 7 (Heat 1 relay function) to option 1 (Heat Pump Mode)



ALL CARE AND DILIGENCE HAS BEEN TAKEN IN THE PREPARATION OF THIS INTERFACE DIAGRAM. **SMART TEMP AUSTRALIA PTY LTD** WILL ONLY BE RESPONSIBLE FOR DAMAGE CAUSED TO THE SMART TEMP PRODUCT, AND ONLY IF IT HAD BEEN CORRECTLY APPLIED IN ACCORDANCE WITH THE MANUFACTURERS INSTRUCTIONS. IT IS THE DEALER / CONTRACTORS SOLE RESPONSIBILITY TO ENSURE CORRECT OPERATION OF THE MAJOR EQUIPMENT IS MAINTAINED.

		<h1>Installation Drawing</h1>	
<b>Drawing Revision History</b>		Drawing Name SMT-150 with Temperzone Single stage with Reversing Valve in Heat 24V Supply	
27/02/2020 REV 1.0 By: Peter S		All care has been taken in the preparation of this drawing however Smart Temp Australia accept no responsibility for damage that may be caused by using this information. This is a guide only.	
Unit 20, 1488 Ferntree Gully Road Knoxfield Vic 3180		Ph:(03) 9763 0094 Fax (03) 9763 0098 www.thermostat.com.au	