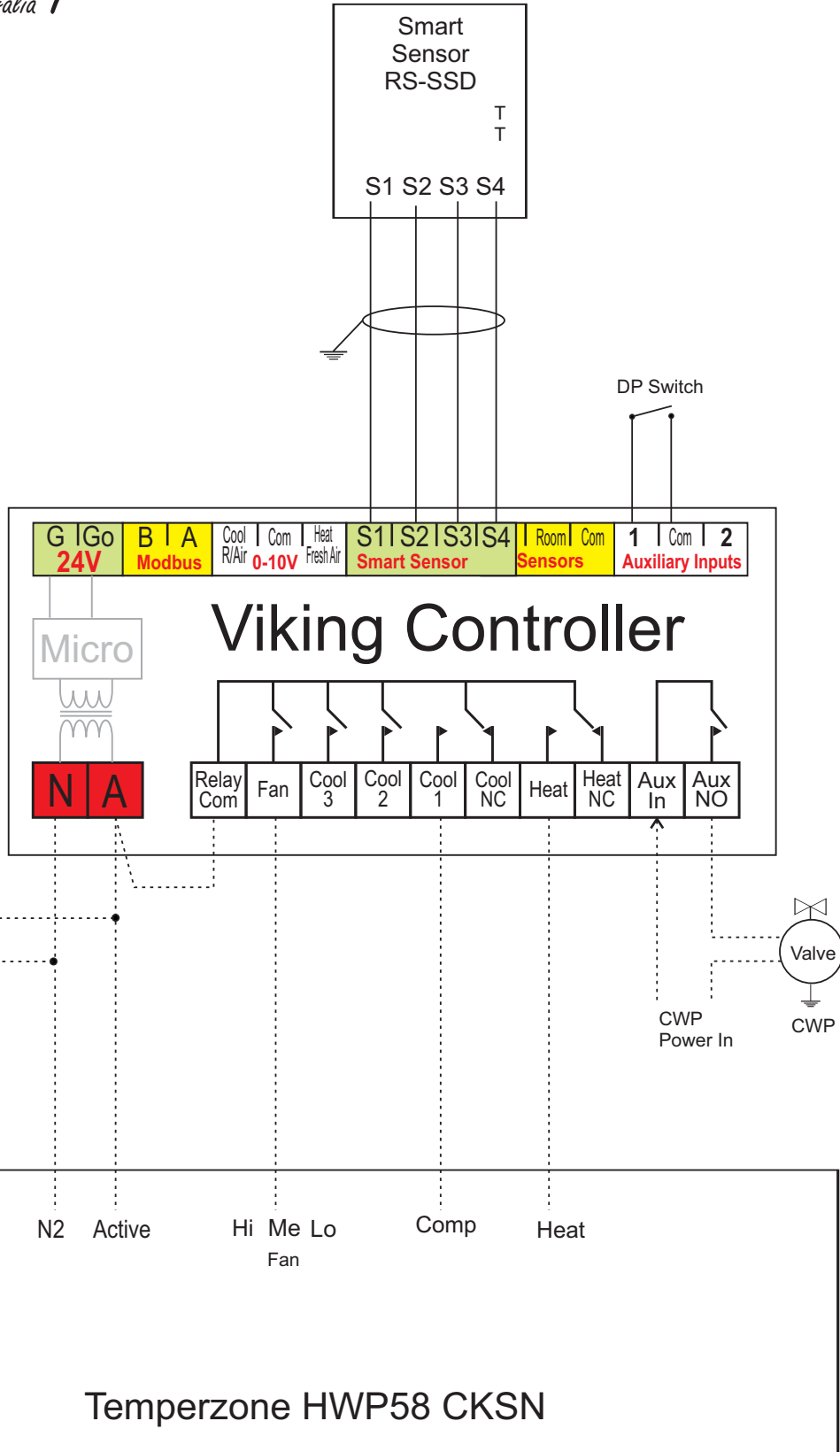


SMT-920 Settings

Dip Switch 1 & 2 both OFF



		<h3>Installation Drawing</h3>										
<p>Drawing Revision History</p> <table border="1"> <tr> <td> </td> <td> </td> <td> </td> </tr> <tr> <td> </td> <td> </td> <td> </td> </tr> <tr> <td> </td> <td> </td> <td> </td> </tr> </table>											<p>Drawing Name Temperzone IHWP58 Interfaced to a Smart Temp Viking</p> <p><small>All care has been taken in the preparation of this drawing however Smart Temp Australia accept no responsibility for damage that may be caused by using this information. This is a guide only.</small></p>	
<p>06-11-2020</p>	<p>REV 1.0</p>	<p>By: John K</p>	<p>PLS (03) 9743 0004 Fax (03) 9743 0088 www.thermostat.com.au</p>									
<p>Unit 20, 1488 Ferntree Gully Road Knoxfield Vic 3180</p>												

ALL CARE AND DILIGENCE HAS BEEN TAKEN IN THE PREPARATION OF THIS INTERFACE DIAGRAM. **SMART TEMP AUSTRALIA PTY LTD** WILL ONLY BE RESPONSIBLE FOR DAMAGE CAUSED TO THE SMART TEMP PRODUCT, AND ONLY IF IT HAD BEEN CORRECTLY APPLIED IN ACCORDANCE WITH THE MANUFACTURES INSTRUCTIONS. IT IS THE DEALER / CONTRACTORS SOLE RESPONSIBILITY TO ENSURE CORRECT OPERATION OF THE MAJOR EQUIPMENT IS MAINTAINED.