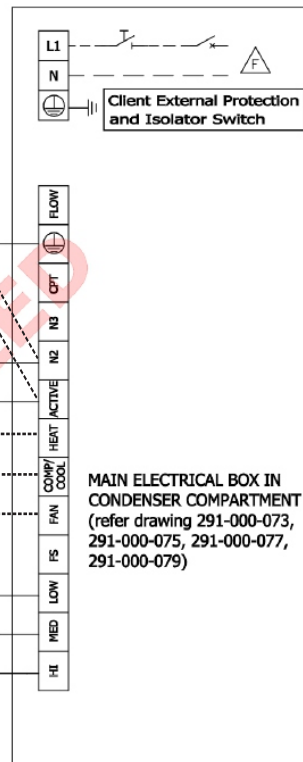
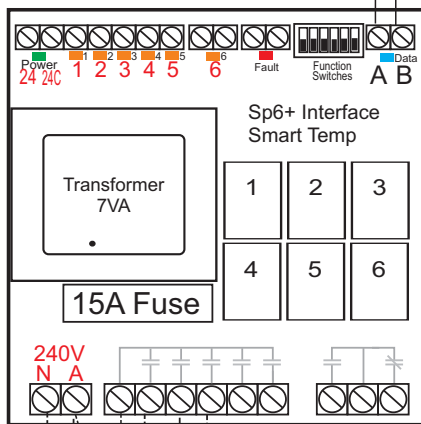


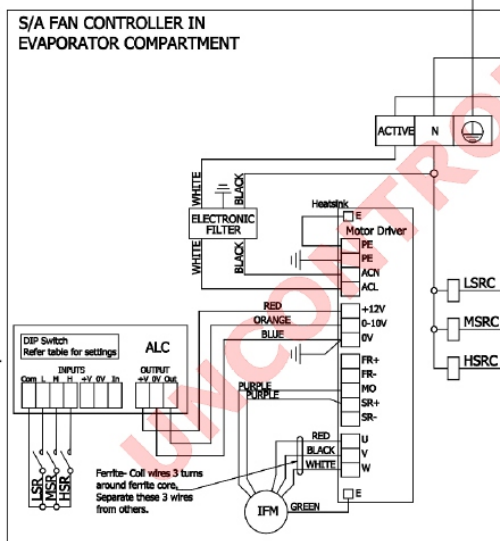
- SW 1= OFF
- SW 2 = ON
- SW 3 = OFF
- SW 4 = ON
- SW 5 = OFF
- SW 6 = Customer Preference
- SW 7 = Off
- SW8 = Customer Preference


Smart Temp  
SPSM  
Two wire Sender Module

80m Max



MAIN ELECTRICAL BOX IN  
CONDENSER COMPARTMENT  
(refer drawing 291-000-073,  
291-000-075, 291-000-077,  
291-000-079)





## Installation Drawing

Drawing Revision History		Drawing Name
		SMT-770 wired to a Temperzone CWP0096RKSYS 1 Fan with an Sp6+ & SPSM 2 wire module
25-11-25	John K	

All care has been taken in the preparation of this drawing however Smart Temp Australia accept no responsibility for damage that may be caused by using this information. This is a guide only.

U20, 1488 Ferntree Gully rd Knoxfield Vic 3180
Ph:(03) 9763 0094
WWW.thermostat.com.au