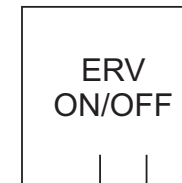
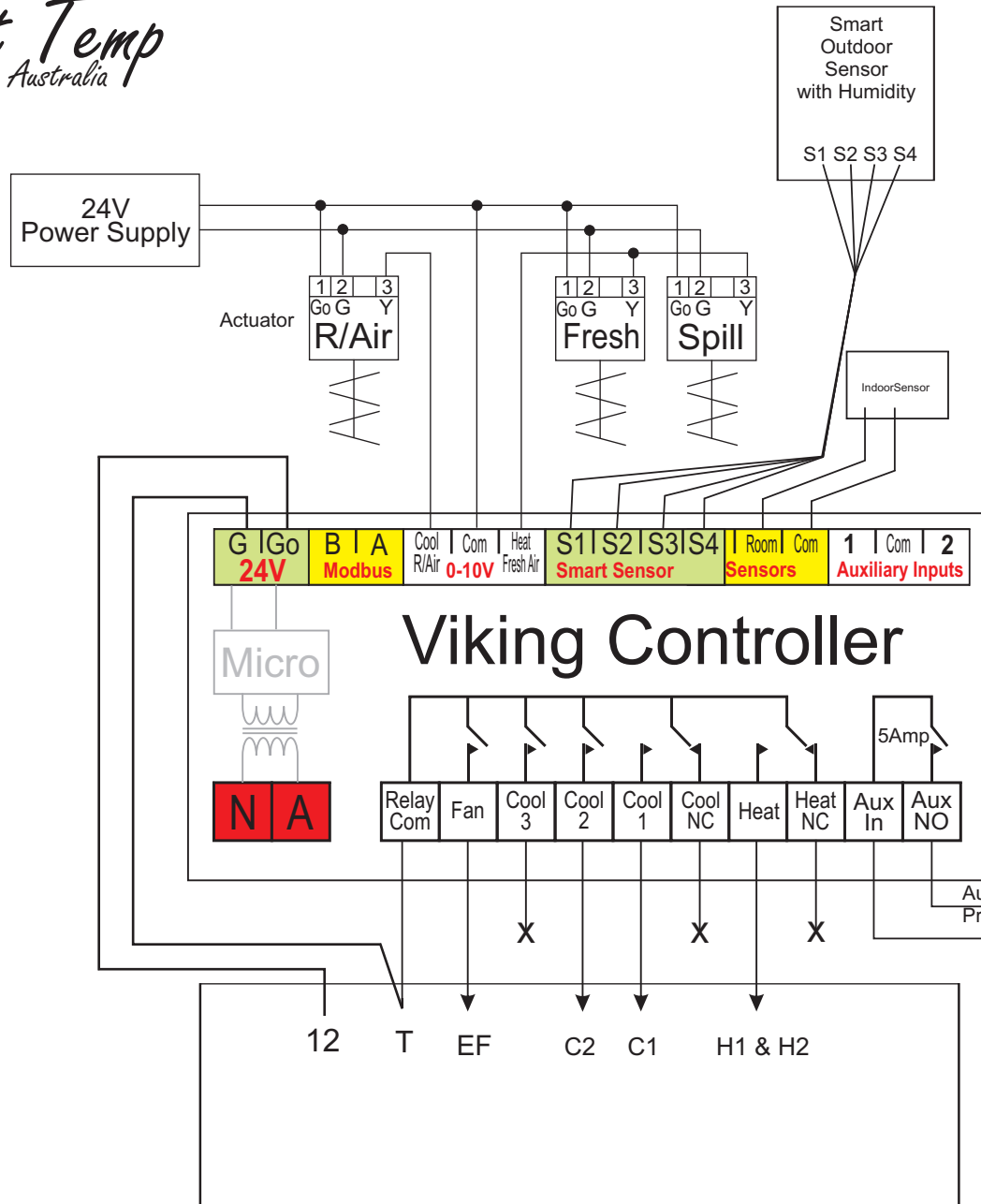



ALL CARE AND DILIGENCE HAS BEEN TAKEN IN THE PREPARATION OF THIS INTERFACE DIAGRAM. **SMART TEMP AUSTRALIA PTY LTD** WILL ONLY BE RESPONSIBLE FOR DAMAGE CAUSED TO THE SMART TEMP PRODUCT, AND ONLY IF IT HAD BEEN CORRECTLY APPLIED IN ACCORDANCE WITH THE MANUFACTURES INSTRUCTIONS. IT IS THE DEALER / CONTRACTORS SOLE RESPONSIBILITY TO ENSURE CORRECT OPERATION OF THE MAJOR EQUIPMENT IS MAINTAINED.



Aux Relay Output
Programmed for Economy Control

		Installation Drawing	
Drawing Revision History			Drawing Name
13-08-2014	REV 1.0	By: John K	Dunnair PH66-Bb2-R Interfaced to a Smart Temp Viking / Economy Cycle with Aux Relay for ERV
All work has been taken in the preparation of this drawing however Smart Temp Australia accept no responsibility for damage that may be caused by using this information. This is a guide only.			
Unit 20, 1488 Ferntree Gully Road Knoxfield Vic 3180		PH (03) 9763 0090 Fax (03) 9763 0088 www.thermostat.com.au	