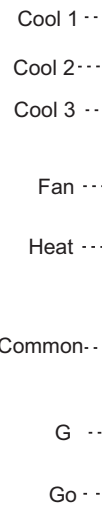
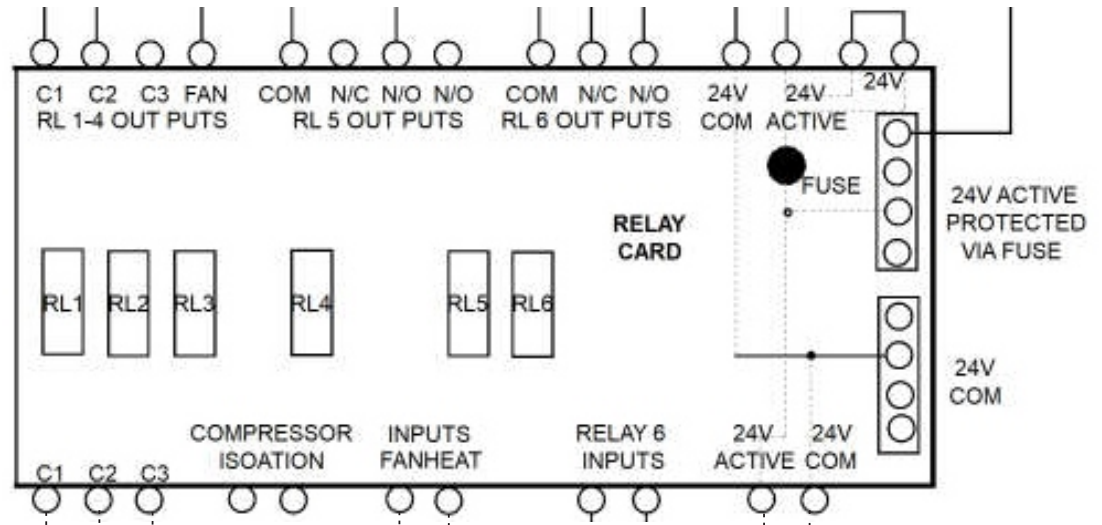
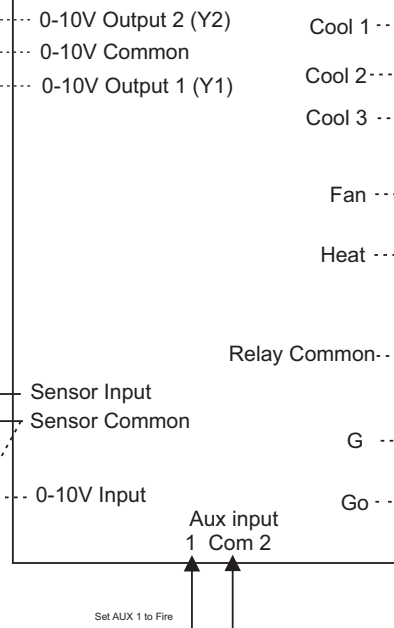
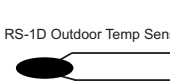
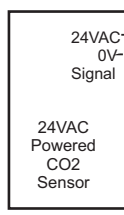
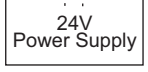
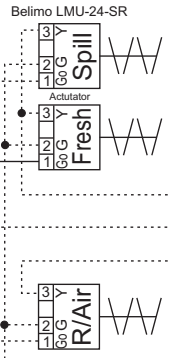


**VIKING HVAC Controller**  
**Dip Switch 1 = ON**  
**2 = OFF**



		<b>Installation Drawing</b>	
Drawing Name		Armcor Narree Warren - Smartcool Smart Temp Viking	
Drawing Revision History		All work has been done in the presence of the drawing license holder. Smart Temp Australia is not responsible for damage that may be caused by using this drawing. This is a guide only.	
26-02-2020	REV 2.0	By: John K	
Unit 20, 1488 Ferntree Gully Road Koorfeld Vic 3108		Ph (03) 9333 9866 Fax (03) 9333 9868 www.smarttemp.com.au	

ALL CARE AND DILIGENCE HAS BEEN TAKEN IN THE PREPARATION OF THIS INTERFACE DIAGRAM. **SMART TEMP AUSTRALIA PTY LTD** WILL ONLY BE RESPONSIBLE FOR DAMAGE CAUSED TO THE SMART TEMP PRODUCT, AND ONLY IF IT HAD BEEN CORRECTLY APPLIED IN ACCORDANCE WITH THE MANUFACTURERS INSTRUCTIONS. IT IS THE DEALER / CONTRACTORS SOLE RESPONSIBILITY TO ENSURE CORRECT OPERATION OF THE MAJOR EQUIPMENT IS MAINTAINED.