



DO = Damper Open
 C = Common
 DC = Damper Closed

Terminal 1 - Common
 Terminal 2 - Close
 Terminal 3 - Open

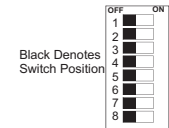
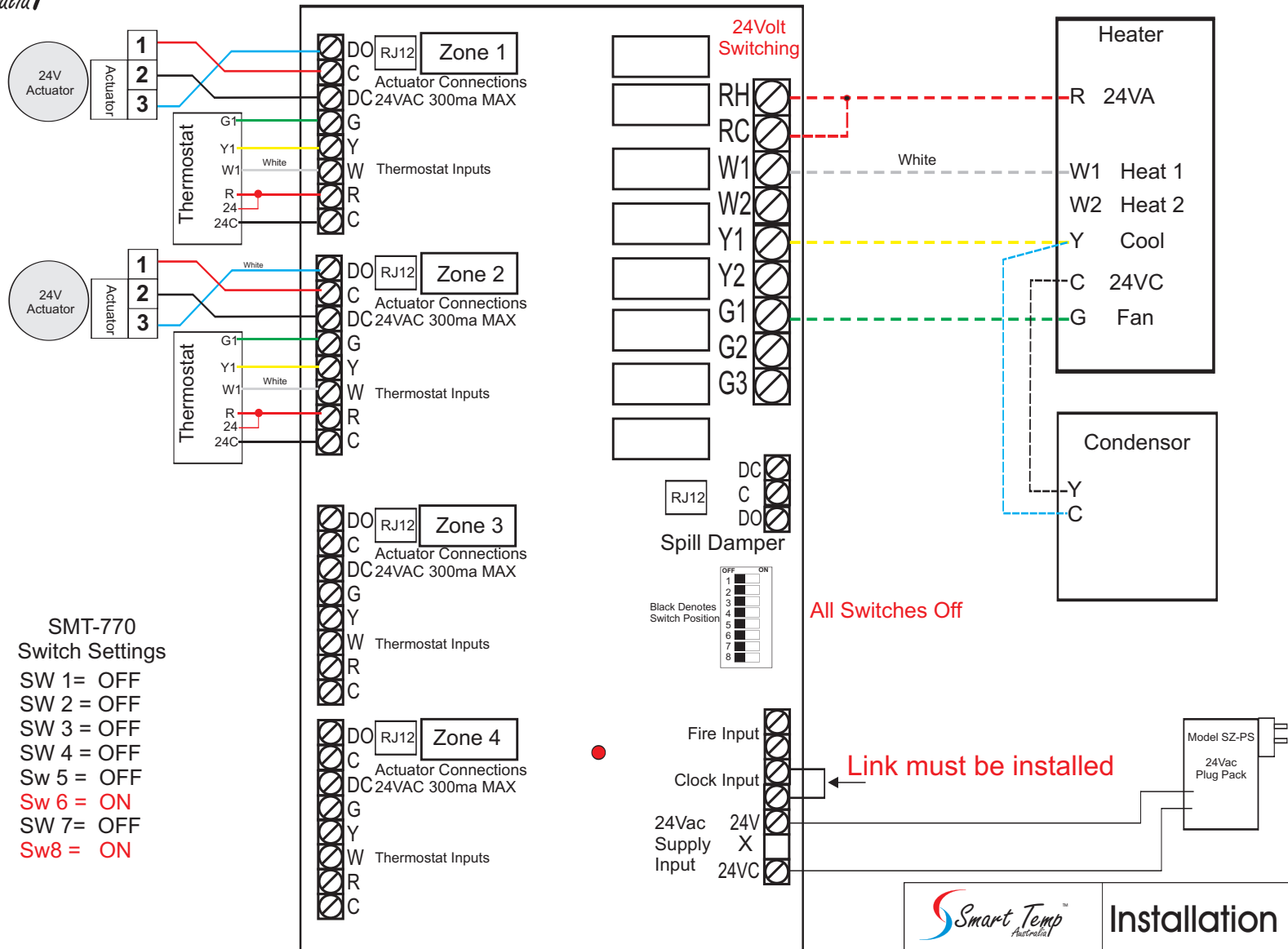
Set Actuator Position to 0



Chameleon

**SMT-770
 Switch Settings**

- SW 1 = OFF
- SW 2 = OFF
- SW 3 = OFF
- SW 4 = OFF
- SW 5 = OFF
- SW 6 = ON
- SW 7 = OFF
- SW 8 = ON



All Switches Off

Link must be installed

*Note 90 Sec Delays for dampers to move into position

		<h2>Installation Drawing</h2>										
<p>Drawing Revision History</p> <table border="1"> <tr> <td> </td> <td> </td> <td> </td> </tr> <tr> <td> </td> <td> </td> <td> </td> </tr> <tr> <td> </td> <td> </td> <td> </td> </tr> </table>											<p>Drawing Name SZ-4 2 Zone Module Gas Heat / Ad on Cool</p>	
<p><small>All care has been taken in the preparation of this drawing however, Smart Temp Australia accept no responsibility for damage that may be caused by using this information. This is a guide only.</small></p>												
<p>Rev F</p>	<p>By John K</p>	<p>07/06/10</p>	<p>Ph: (03) 97630094 Fax: (03) 97630098 www.thermostat.com.au</p>									
<p>Unit 20, 1488 Ferntree Gully Rd Knoxfield Vic 3180</p>												