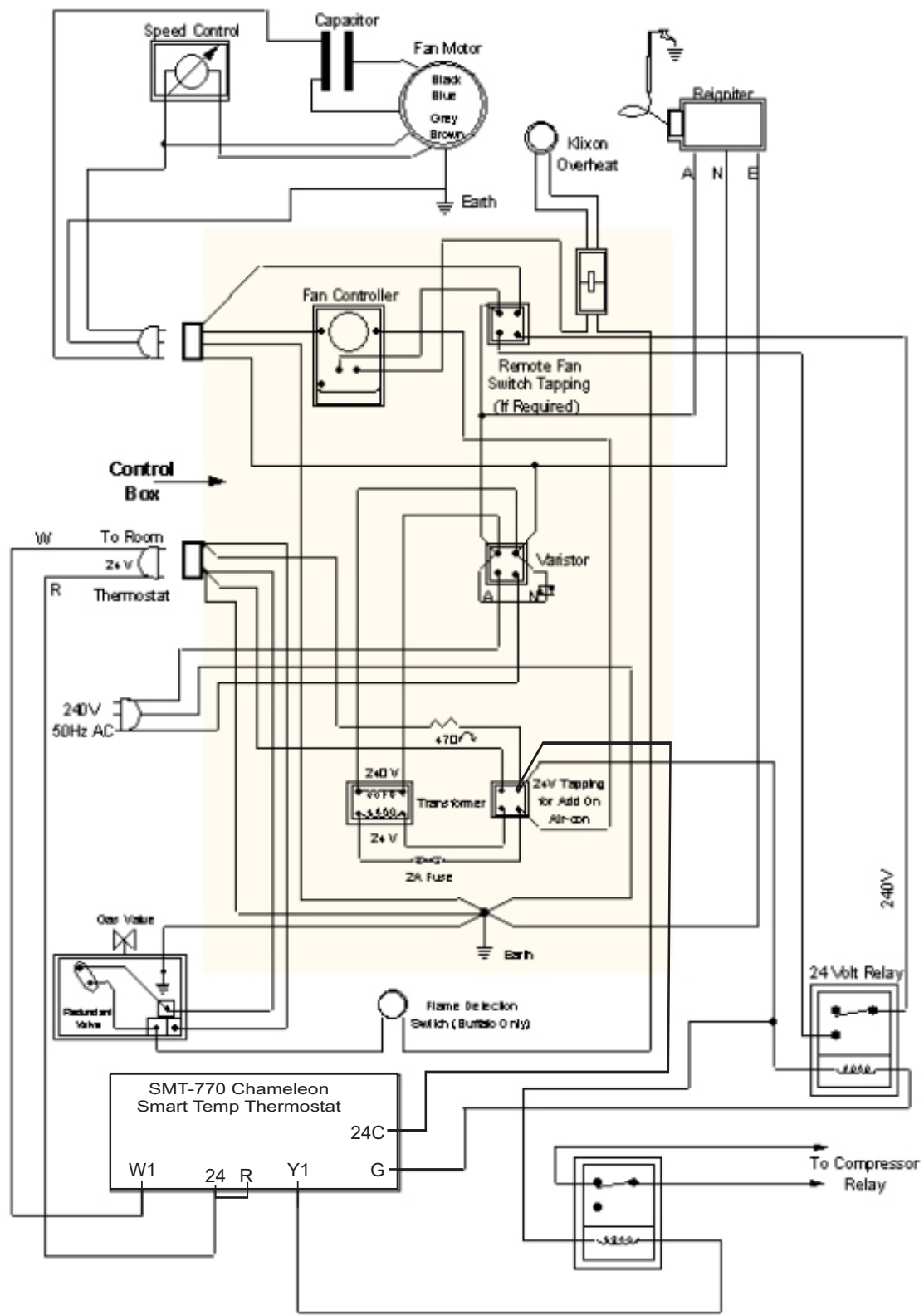



Heater \ Add on cooling circuit diagrams \ Pre electronic model



Smart Temp SMT-770 Chameleon

- SW 1 = OFF
- SW 2 = OFF
- SW 3 = OFF
- SW 4 = OFF
- SW 5 = OFF
- SW 6 = ON (Customer Option)
- SW 7 = Off
- SW 8 = ON (Customer Option)



Installation Drawing

Drawing Revision History		Drawing Name
		SMT-770 wired to a Bravis Wombat with Add On Cooling
19/07/24	John K	<small>All care has been taken in the preparation of this drawing however Smart Temp Australia accept no responsibility for damage that may be caused by using this information. This is a guide only.</small>

U20, 1488 Ferntree Gully rd Knoxfield Vic 3180 Ph:(03) 9763 0094 WWW.thermostat.com.au