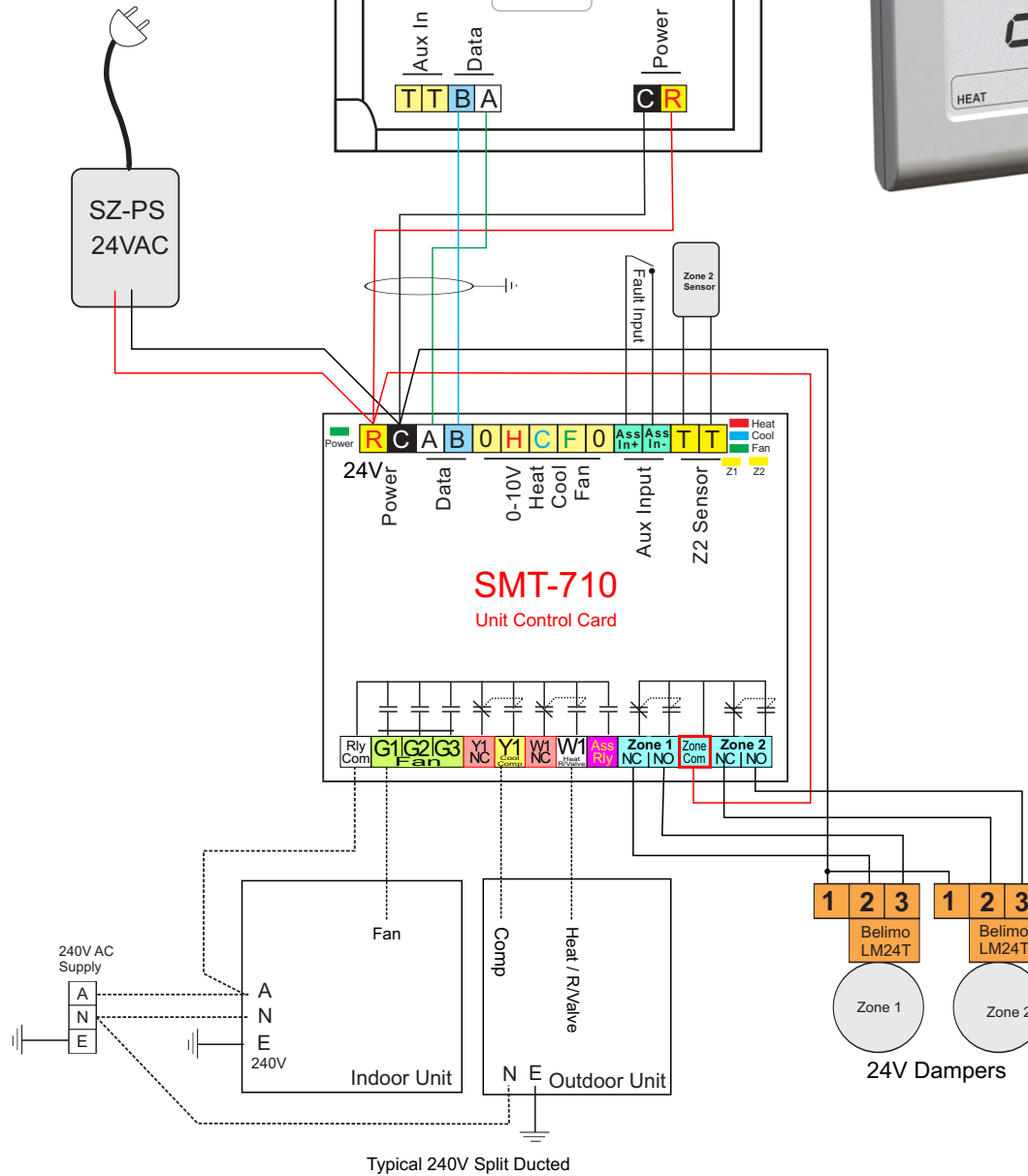


SMT-710 Dip Switch Settings

Switch	Function	Setting
1	Fan Speeds	OFF
2	Equipment Type	ON
3	HP/HC R/Valve	ON
4	Not Used	
5	Comp Delay	ON
6	Not Used	
7	Ventilation Mode	ON
8	Zone Enable	ON

SMT-710 Installer Options
(Refer to installer manual for advanced settings)

Option 33 = 3
Option 39 = 2



		<h2>Installation Drawing</h2>									
<p>Drawing Revision History</p> <table border="1"> <thead> <tr> <th>Rev</th> <th>Date</th> <th>By</th> <th>Description</th> </tr> </thead> <tbody> <tr> <td>03-07-2024</td> <td>REV 1.0</td> <td>By: John K</td> <td></td> </tr> </tbody> </table>		Rev	Date	By	Description	03-07-2024	REV 1.0	By: John K		<p>Drawing Name SMT-710 - 240V Heat pump with Single Fan Seed and 2 Zones with Fault Input</p> <p><small>All care has been taken in the preparation of this drawing however Smart Temp Australia accept no responsibility for damage that may be caused by using this information. This is a guide only.</small></p>	
Rev	Date	By	Description								
03-07-2024	REV 1.0	By: John K									
<p>Unit 20, 1488 Ferntree Gully Road Knoxfield Vic 3180</p>		<p>Ph: (03) 9763 0094 www.themostat.com.au</p>									