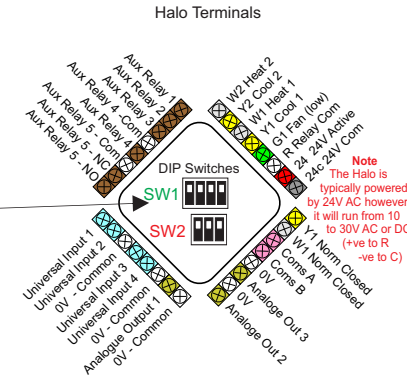
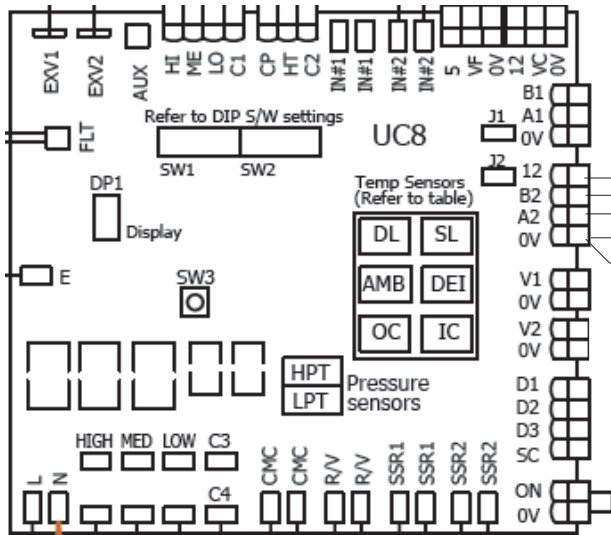


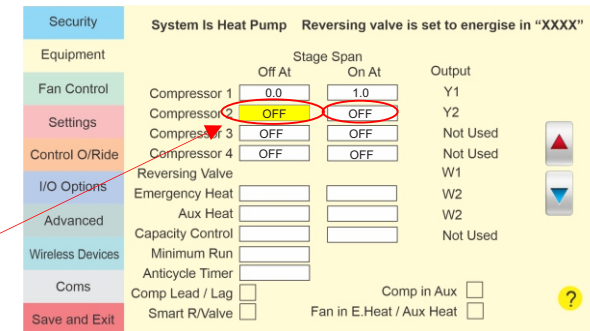
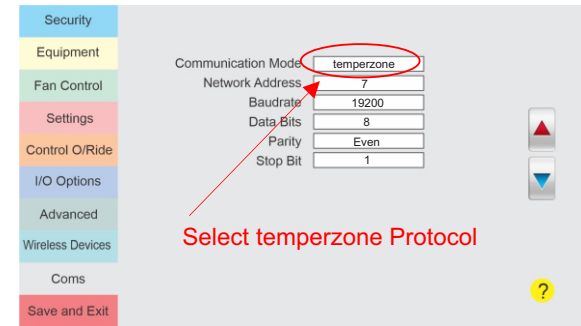
SW1
1-ON
2-ON
3-ON
4-OFF



Temperzone Uc8 Board



Installer Menu Settings - Default Pin is 0021



Compressor 2 must be disabled
Double tap to disable (OFF)

Please ensure the Halo thermostat has the latest firmware installed.
The firmware update can be done via Over the Air. Refer to the user manual page 52 or further instructions.

ALL CARE AND DILIGENCE HAS BEEN TAKEN IN THE PREPARATION OF THIS INTERFACE DIAGRAM. **SMART TEMP AUSTRALIA PTY LTD** WILL ONLY BE RESPONSIBLE FOR DAMAGE CAUSED TO THE SMART TEMP PRODUCT, AND ONLY IF IT HAD BEEN CORRECTLY APPLIED IN ACCORDANCE WITH THE MANUFACTURERS INSTRUCTIONS.

		Installation Drawing
Drawing Revision History		Drawing Name Smart Temp Halo SMT-850 wired to Temperzone UC8 - AB Modbus ports
07-10-2025	REV 1.0	By: John K
Unit 20, 1488 Ferntree Gully Road Knoxfield Vic 3180		Ph: (03) 9763 0094 www.thermostat.com.au

All care has been taken in the preparation of this drawing however Smart Temp Australia accept no responsibility for damage that may be caused by using this information. This is a guide only.