

Occupancy Door Stations

Hotel room management system

Making Life Comfortable

The Smart Temp Hotel Door Stations have been produced to compliment the range of Smart Temp thermostats and automatic occupancy systems when used in the rental accommodation industry.

These attractive touch screen panels are designed to compliment the decor' of the hotel room and to provide the guests with a simple and convent way to set the room to private (Do Not Disturb) or to request house keeping to make up the room.

The door stations backlit display automatically changes colour to indicate the rooms occupancy state when connected to a suitable occupancy system such as the Smart Temp OC-3D occupancy monitor. When the room is occupied the wall station back light is white (red when set to "Do Not Disturb") and off when the room is empty, enabling hotel staff to easily note when the room is occupied before approaching the room.

A pleasant "Ding Dong" style door bell is also provided which is automatically disabled when the room is set to "Do Not Disturb".

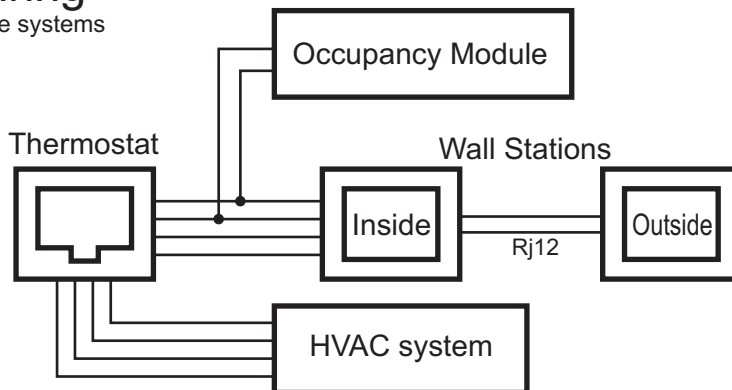
The Door Stations are very simply wired, being powered via 24VAC with the 2 panels (inside and outside) being easily connected via a ribbon cable with Rj12 connectors.



- **Aesthetic Design**
- **Backlit touch panels**
- **Integrated Door Bell**
- **Do Not Disturb &**
- **Make Up Room indication**
- **Safe, 24V powered.**

Typical Wiring

Complete systems



www.smarttemp.com.au

Smart Temp Australia P/L U20/1488 Ferntree Gully Road Knoxfield Vic 3180 Phone (03) 9763 0094 Fax (03) 9763 0098