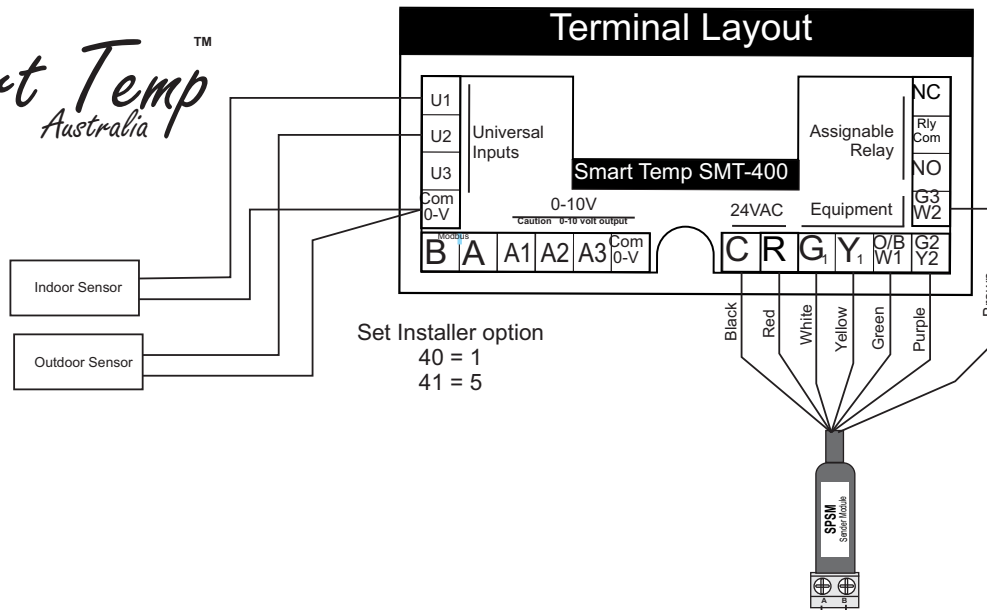




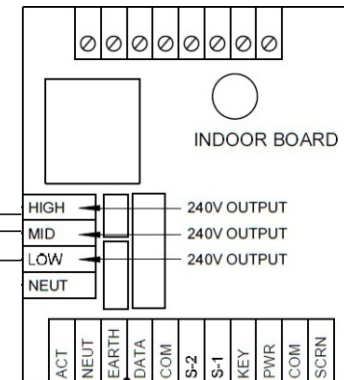
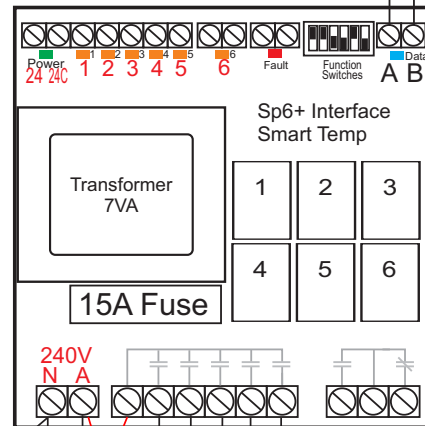
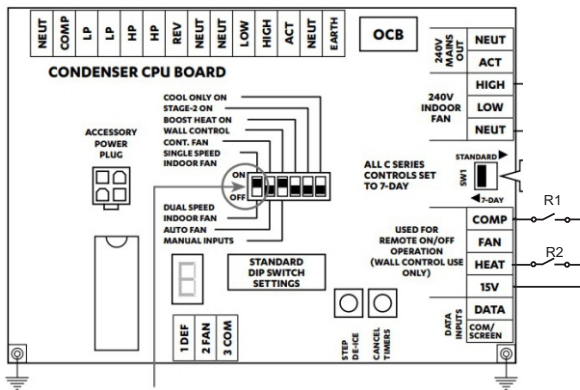
Terminal Layout



Switch Settings

- 1 = on
- 2 = on
- 3 = off
- 4 = on
- 5 = off
- 6 = n/a
- 7 = off
- 8 = off

Set Installer option
40 = 1
41 = 5



ALL CARE AND DILIGENCE HAS BEEN TAKEN IN THE PREPARATION OF THIS INTERFACE DIAGRAM. **SMART TEMP AUSTRALIA PTY LTD** WILL ONLY BE RESPONSIBLE FOR DAMAGE CAUSED TO THE SMART TEMP PRODUCT, AND ONLY IF IT HAD BEEN CORRECTLY APPLIED IN ACCORDANCE WITH THE MANUFACTURERS INSTRUCTIONS.

240V Relay

		<h2>Installation Drawing</h2>
Drawing Revision History		Drawing Name Acron Air SRA140C with Smart Temp Sp6+ Interface/SPSM and SMT-400 Wifi Thermostat
02-07-2021	REV 1.0	By: John K
Unit 20, 1488 Ferntree Gully Road Knoxfield Vic 3180		Ph: (03) 9763 0094 www.thermostat.com.au

All care has been taken in the preparation of this drawing however Smart Temp Australia accept no responsibility for damage that may be caused by using this information. This is a guide only.