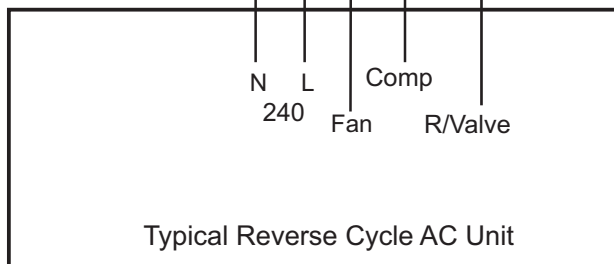
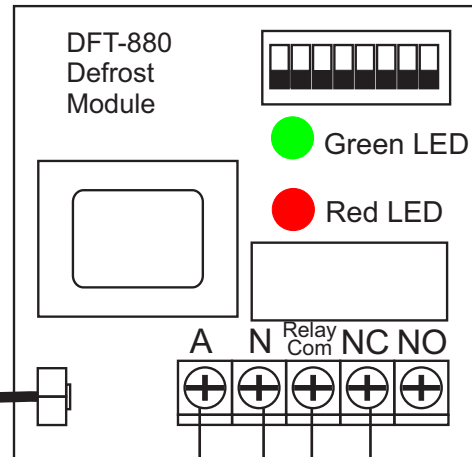
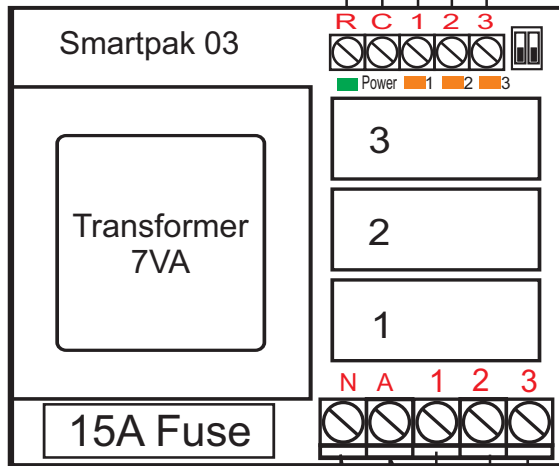
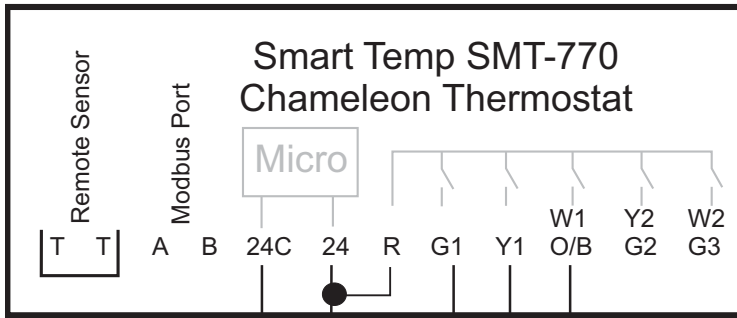





- SW 1 = OFF
- SW 2 = ON
- SW 3 = OFF
- SW 4 = ON
- Sw 5 = OFF
- Sw 6 = Customer Preference
- SW 7 = OFF
- Sw8 = Customer Preference



ALL CARE AND DILIGENCE HAS BEEN TAKEN IN THE PREPARATION OF THIS INTERFACE DIAGRAM. **SMART TEMP AUSTRALIA PTY LTD** WILL ONLY BE RESPONSIBLE FOR DAMAGE CAUSED TO THE SMART TEMP PRODUCT, AND ONLY IF IT HAD BEEN CORRECTLY APPLIED IN ACCORDANCE WITH THE MANUFACTURERS INSTRUCTIONS. IT IS THE DEALER / CONTRACTORS SOLE RESPONSIBILITY TO ENSURE CORRECT OPERATION OF THE MAJOR EQUIPMENT IS MAINTAINED.



Installation Drawing

Drawing Revision History			Drawing Name
			Typical Heat Pump with SP-3, DFT-880Defrost and SMT-770
22-03-21	REV 1.0	By: JK	All care has been taken in the preparation of this drawing however Smart Temp Australia accept no responsibility for damage that may be caused by using this information. This is a guide only.
Unit 20, 1488 Ferntree Gully Rd Knoxfield Vic 3180			Ph: (03) 9763 0094 Fax: (03) 9763 0098 www.smarttemp.com.au