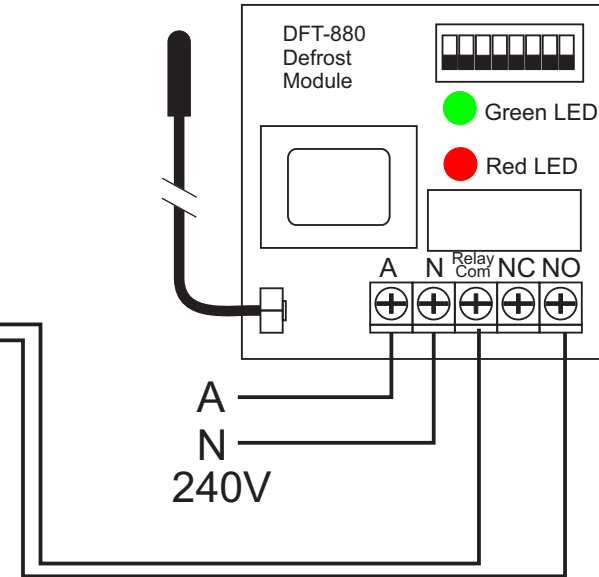
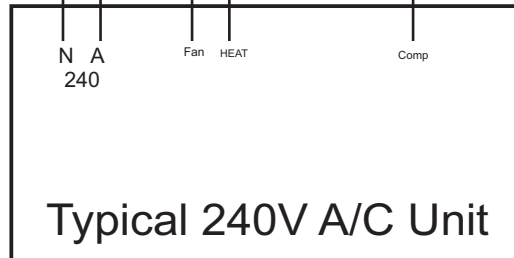
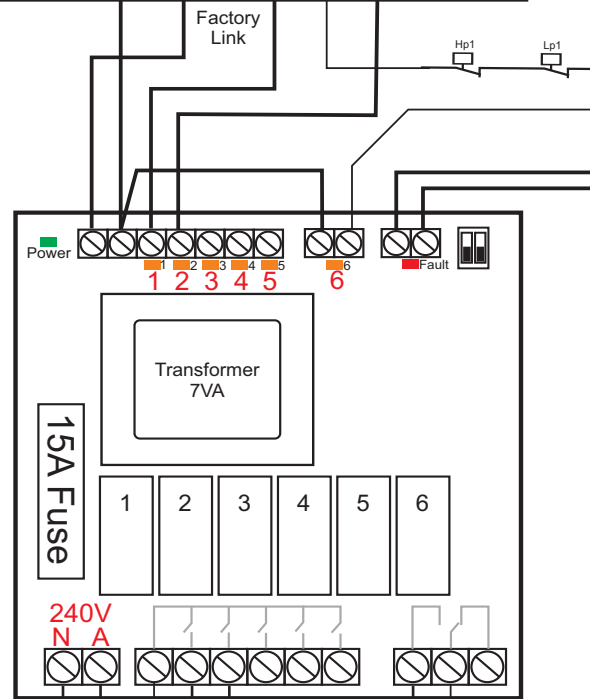
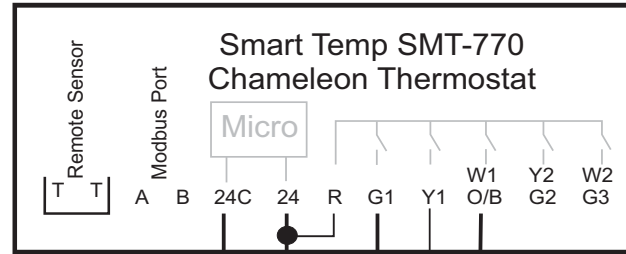




Smart Temp SMT-770
Chameleon

- SW 1 = OFF
- SW 2 = ON
- SW 3 = OFF
- SW 4 = ON
- SW 5 = OFF
- SW 6 = Customer Preference
- SW 7 = Off
- SW 8 = Customer Preference



ALL CARE AND DILIGENCE HAS BEEN TAKEN IN THE PREPARATION OF THIS INTERFACE DIAGRAM. **SMART TEMP AUSTRALIA PTY LTD** WILL ONLY BE RESPONSIBLE FOR DAMAGE CAUSED TO THE SMART TEMP PRODUCT, AND ONLY IF IT HAD BEEN CORRECTLY APPLIED IN ACCORDANCE WITH THE MANUFACTURERS INSTRUCTIONS. IT IS THE DEALER / CONTRACTORS SOLE RESPONSIBILITY TO ENSURE CORRECT OPERATION OF THE MAJOR EQUIPMENT IS MAINTAINED.

		<h2>Installation Drawing</h2>	
Drawing Revision History		Drawing Name	
		SMT-770 Chameleon with Smart Pak and DFT-880	
<small>All care has been taken in the preparation of this drawing however Smart Temp Australia accept no responsibility for damage that may be caused by using this information. This is a guide only.</small>			
25-07-16	REV 1.0	By: John K	
Unit 20, 1488 Ferntree Gully Road Knoxfield Vic 3180		Ph: (03) 9763 0094 Fax: (03) 9763 0098 www.thermostat.com.au	