

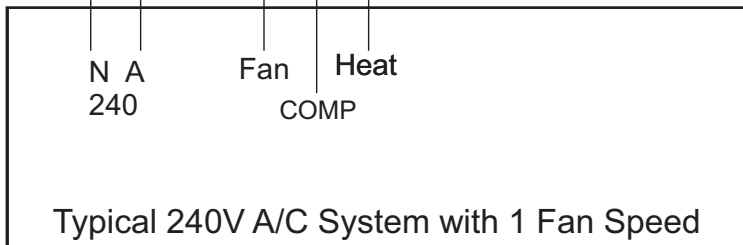
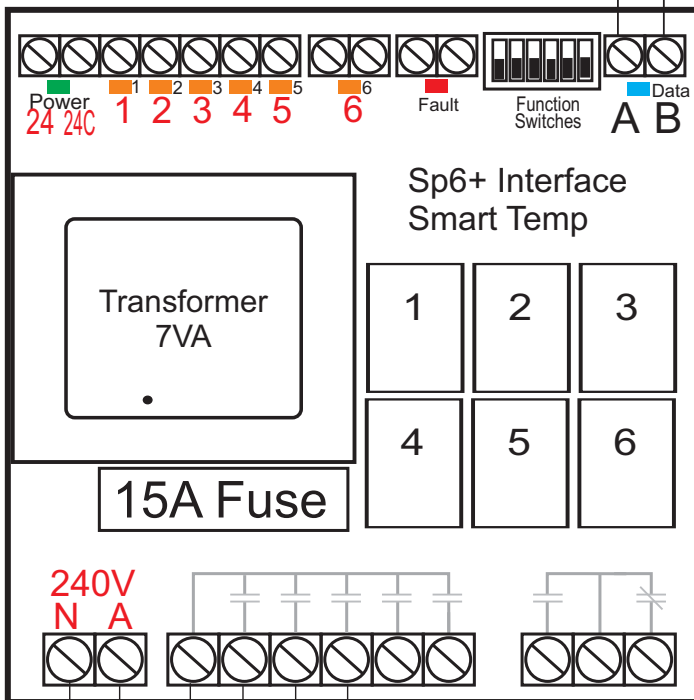
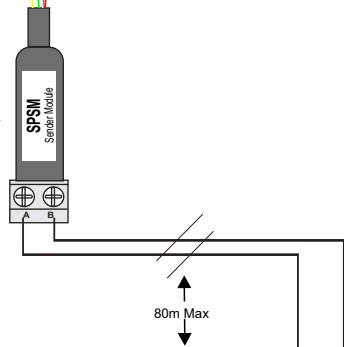
RH-RC Jumper Switch = ON (Factory Default)


Advance settings via APP

Set System Type to Heat Pump = **HP-1H1C**

Set O/B Reversing Valve to **B** (Heating)

Smart Temp
SPSM
Two wire Sender Module





Installation Drawing

Drawing Revision History		Drawing Name
		SMT-450 wired to a Typical 240V A/C System with 1Fan Speed using an Sp6+ Interface/SPSM
10/07/24	John K	<small>All care has been taken in the preparation of this drawing however Smart Temp Australia accept no responsibility for damage that may be caused by using this information. This is a guide only.</small>
1U20, 1488 Ferntree Gully rd Knoxfield Vic 3180		<small>Ph:(03) 9763 0094 WWW.thermostat.com.au</small>