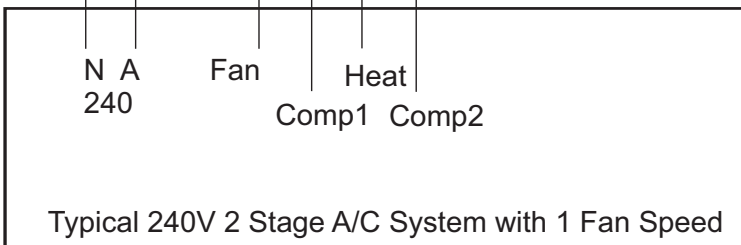
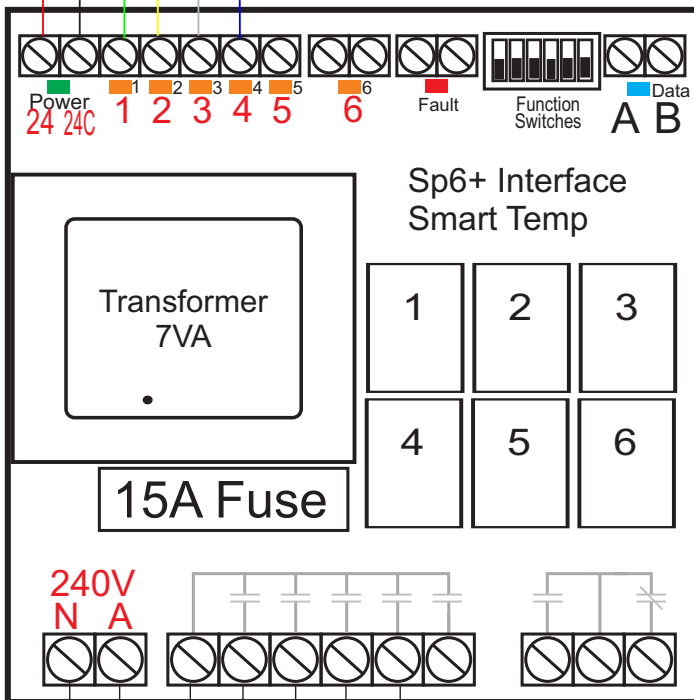


RH-RC Jumper Switch = ON (Factory Default)

Advance settings via APP

Set System Type to Heat Pump = **HP-2H2C**

Set O/B Reversing Valve to **B** (Heating)



		<h2 style="margin: 0;">Installation Drawing</h2>
Drawing Revision History		Drawing Name SMT-450 wired to a Typical 2 Stage 240V A/C System with 1 Fan Speed using an Sp6+ Interface
10/07/24	John K	Rev 1.0
1U20, 1488 Ferntree Gully rd Knoxfield Vic 3180		Ph:(03) 9763 0094 WWW.thermostat.com.au

All care has been taken in the preparation of this drawing however Smart Temp Australia accept no responsibility for damage that may be caused by using this information. This is a guide only.