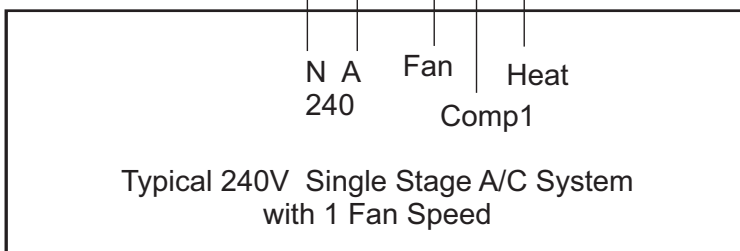
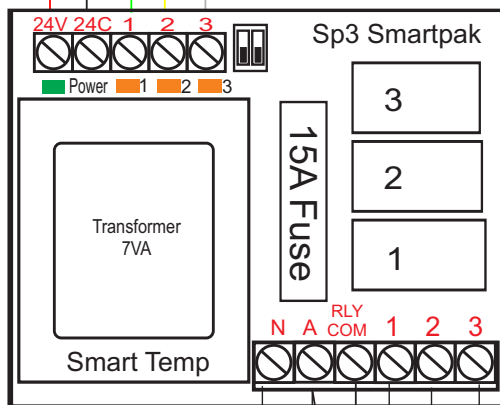



RH-RC Jumper Switch = ON ( Factory Default)  
 Advance settings via APP  
 Set System Type to Heat Pump = **HP-1H1C**  
 Set O/B Reversing Valve to **B** (Heating)



ALL CARE AND DILIGENCE HAS BEEN TAKEN IN THE PREPARATION OF THIS INTERFACE DIAGRAM. **SMART TEMP AUSTRALIA PTY LTD** WILL ONLY BE RESPONSIBLE FOR DAMAGE CAUSED TO THE SMART TEMP PRODUCT, AND ONLY IF IT HAD BEEN CORRECTLY APPLIED IN ACCORDANCE WITH THE MANUFACTURES INSTRUCTIONS. IT IS THE DEALER / CONTRACTORS SOLE RESPONSIBILITY TO ENSURE CORRECT OPERATION OF THE MAJOR EQUIPMENT IS MAINTAINED.

		<h2 style="margin: 0;">Installation Drawing</h2>
<b>Drawing Revision History</b>		Drawing Name SMT-450 wired to a Typical 1 Stage 240V A/C System with 1 Fan Speed using an Sp3 Smartpak
12/07/24	John K	Rev 1.0
1U20, 1488 Ferntree Gully rd Knoxfield Vic 3180		Ph:(03) 9763 0094 <a href="http://www.thermostat.com.au">www.thermostat.com.au</a>