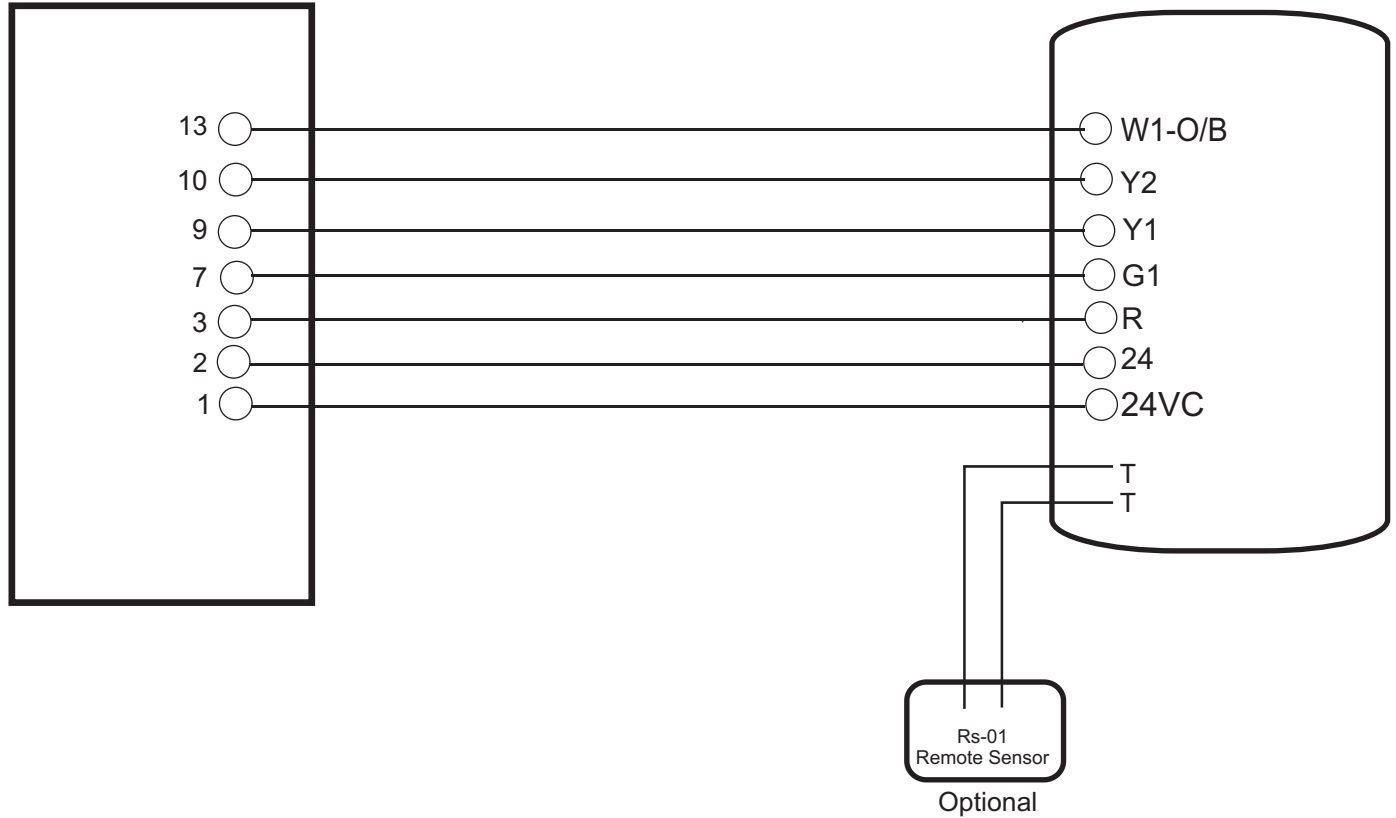




Email KRS Board Air



Switch Settings for SMT-770

- Sw-OFF
- Sw2-ON
- Sw3-ON
- Sw4-ON
- Sw5-ON
- Sw6- Customer Pref
- Sw7 - OFF
- Sw8 - Customer pref

ALL CARE AND DILIGENCE HAS BEEN TAKEN IN THE PREPARATION OF THIS INTERFACE DIAGRAM. **SMART TEMP AUSTRALIA PTY LTD** WILL ONLY BE RESPONSIBLE FOR DAMAGE CAUSED TO THE SMART TEMP PRODUCT, AND ONLY IF IT HAD BEEN CORRECTLY APPLIED IN ACCORDANCE WITH THE MANUFACTURERS INSTRUCTIONS. IT IS THE DEALER / CONTRACTORS SOLE RESPONSIBILITY TO ENSURE CORRECT OPERATION OF THE MAJOR EQUIPMENT IS MAINTAINED.

		<h2>Installation Drawing</h2>
Drawing Revision History		Drawing Name
		Email KRS Smart Temp SMT-770
14-3-2008	REV A	By: PS
<i>Smart Temp</i>		20/1488 Ferntree Gully Rd Knoxfield Vic Ph:(03) 9763 0094 Fax:(03) 9763 0098 www.smart-temp.com.au