

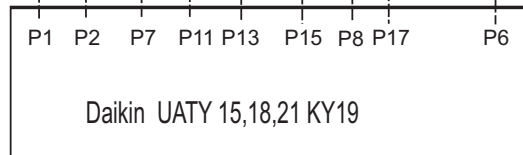
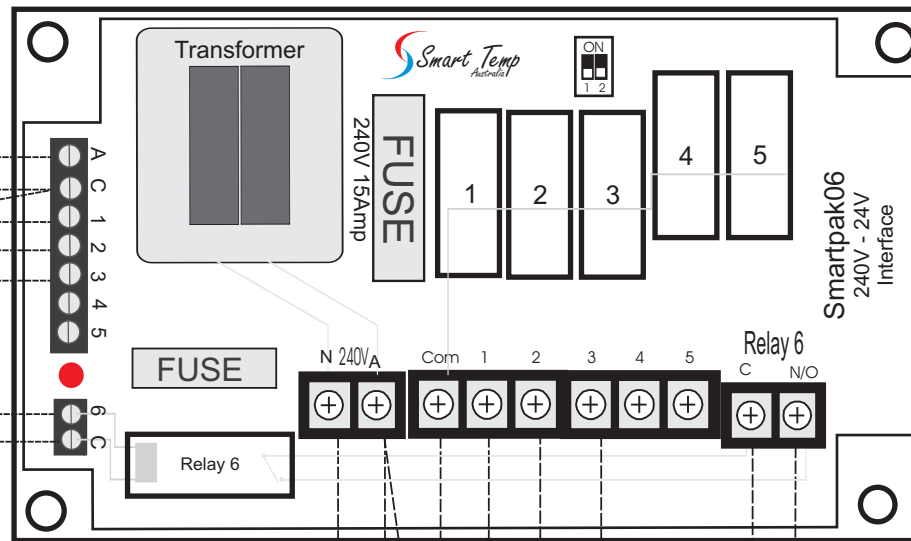
Smart Temp ISIS



ISIS Jumper Settings

- JP1 A
- JP3 OFF
- JP4 ON
- JP5 N/A
- JP6 ON
- JP7 ON

ALL CARE AND DILIGENCE HAS BEEN TAKEN IN THE PREPARATION OF THIS INTERFACE DIAGRAM. **SMART TEMP AUSTRALIA PTY LTD** WILL ONLY BE RESPONSIBLE FOR DAMAGE CAUSED TO THE SMART TEMP PRODUCT, AND ONLY IF IT HAD BEEN CORRECTLY APPLIED IN ACCORDANCE WITH THE MANUFACTURERS INSTRUCTIONS. IT IS THE DEALER / CONTRACTORS SOLE RESPONSIBILITY TO ENSURE CORRECT OPERATION OF THE MAJOR EQUIPMENT IS MAINTAINED.



- Daikin UATY 15,18,21 KY19 Connections
- P1 - Neutral
 - P2 - Active to Thermostat
 - P17 - Reversing Valve
 - P6 - On/Off Fan Interlock
 - P7 - Safety Circuit Comp. interlock
 - P13 - Comp Run Signal 1st Stage Heat
 - P11- Comp Run Signal 1st Stage Cool
 - P15- Comp Run Signal 2nd Stage Heat
 - P8 - Comp Run Signal 2nd Stage Cool

		<h2>Installation Drawing</h2>	
Drawing Revision History		Drawing Name	
		Daikin UATY15,18,21 Interfaced with SmartPak06 and ISIS	
		All care has been taken in the preparation of this drawing however Smart Temp Australia accepts no responsibility for damage that may be caused by using this information. This is a guide only.	
04-05-2007	REV 2.0	By: John K	
Unit 20, 1488 Ferntree Gully Road Knoxfield Vic 3180			
		Ph (03) 9763 0094 Fax (03) 9763 0098 www.thermostat.com.au	