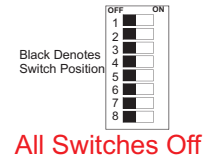
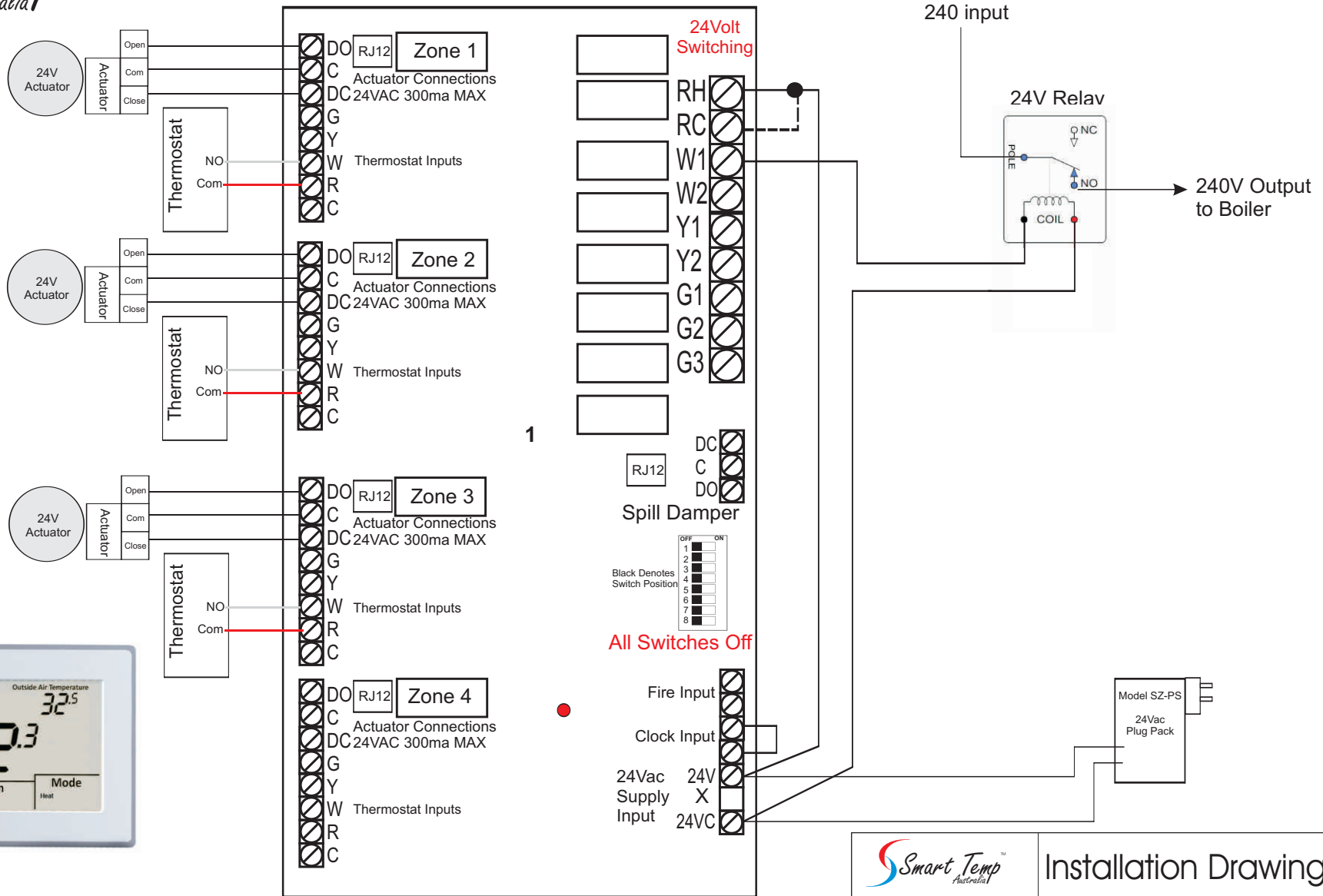


DO = Damper Open
 C = Common
 DC = Damper Closed



*Note 90 Sec Delays for dampers to move into position

		<h2>Installation Drawing</h2>	
Drawing Revision History		Drawing Name SZ-4 Zone Module Gas Heat	
Rev A	By John K	26-07-2012	<small>All care has been taken in the preparation of this drawing however Smart Temp Australia accepts no responsibility for damage that may be caused by using this information. This is a guide only.</small>
Unit 20, 1488 Ferntree Gully Rd Knoxfield Vic 3180		Ph (03) 97630094 Fax (03) 97630098	www.thermostat.com.au