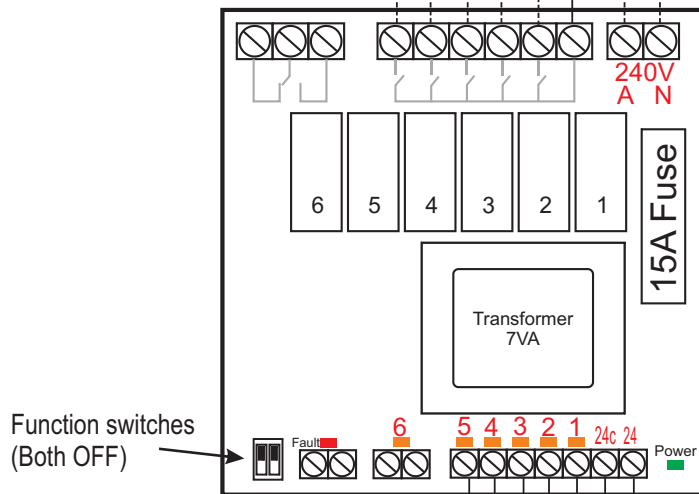
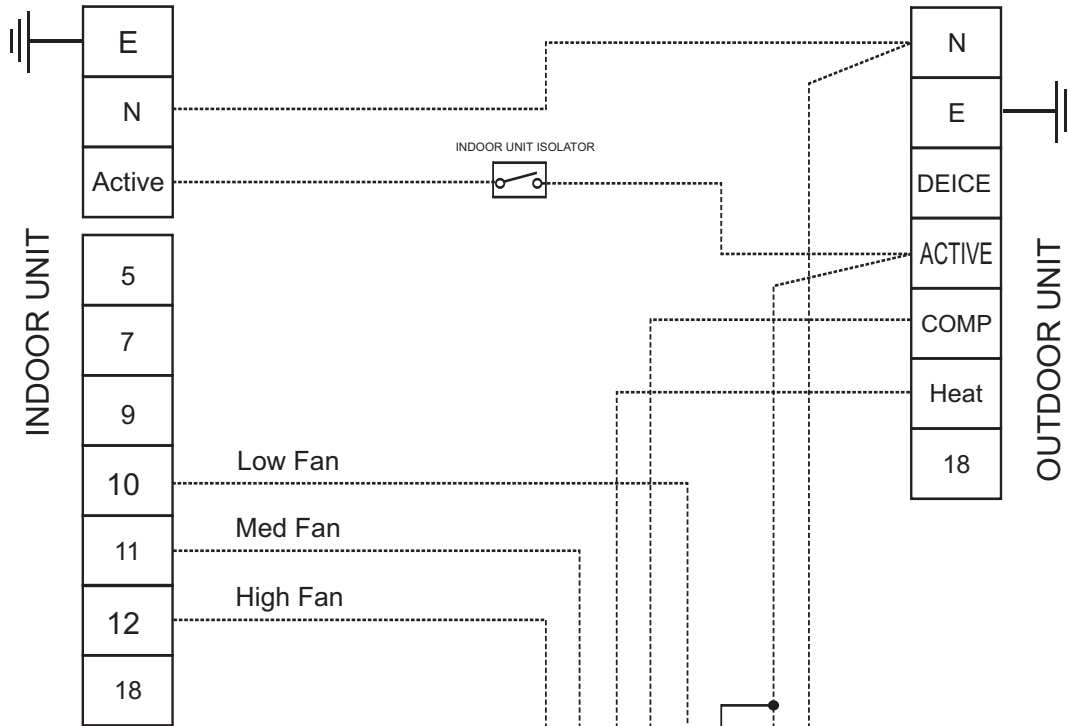
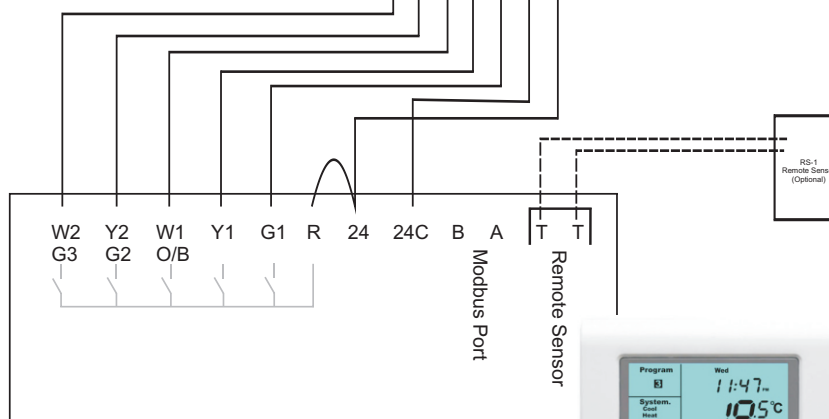


Temperzone ISD 80 to 270K-DN



Function switches (Both OFF)



Smart Temp SMT-770 Chameleon

- SW 1 = ON
- SW 2 = ON
- SW 3 = OFF
- SW 4 = ON
- SW 5 = ON
- SW 6 = Customer Preference
- SW 7 = Off
- SW 8 = Customer Preference



Installation Drawing

Drawing Revision History

Revision	Date	By
05-10-2010	John K	

Drawing Name
Temperzone ISD80-270
with Smart temp SMT-770

All care has been taken in the preparation of this drawing however Smart Temp Australia accept no responsibility for damage that may be caused by using this information. This is a guide only.

1U20, 1488 Ferntree Gully rd Knoxfield Vic 3180

Ph:(03) 9763 0094 Fax (03) 9763 0098 WWW.thermostat.com.au