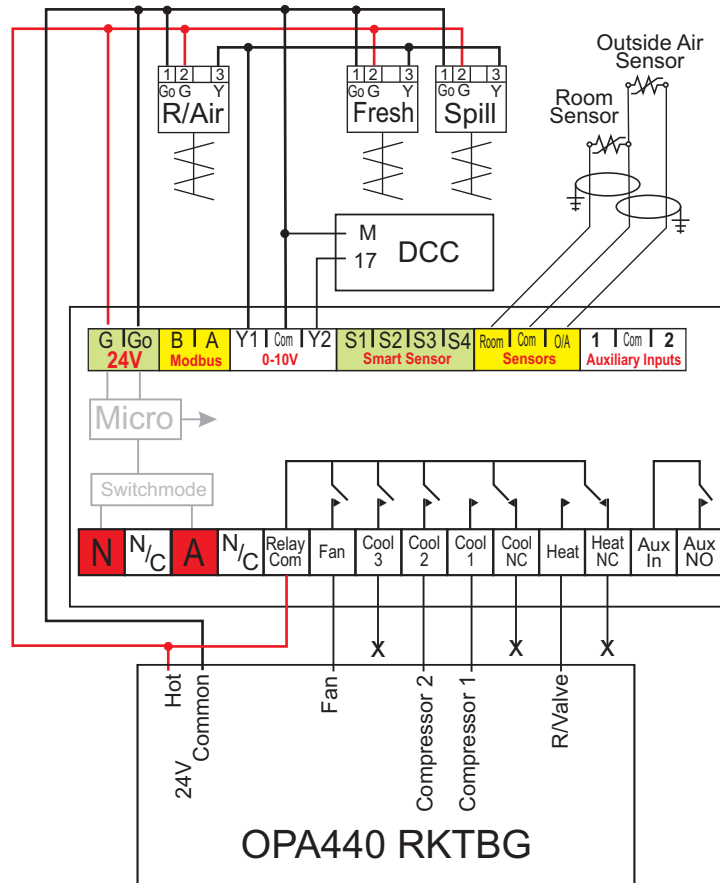



R/Air Damper set to forward Acting
 Fresh (and optional spill) set to reverse acting



Installer Option in Viking

- Option 17 - Change Analogue settings?
- Set Y1 = Economy OUT function
- Set Y2 = H&C Function (set range to 1C)

		<h2>Installation Drawing</h2>
Drawing Revision History		Drawing Name
		Digital Temperzone with Viking & Economy control
		<small>All care has been taken in the preparation of this drawing however Smart Temp Australia accept no responsibility for damage that may be caused by using this information. This is a guide only.</small>
14-11-2008	REV 1.0	By: John K
Unit 20, 1488 Ferntree Gully Road Knoxfield Vic 3180		Ph:(03) 9763 0094 Fax (03) 9763 0098 www.themostal.com.au